



Description

Colorlith HP is a homogenous reinforced cement sheet combining beauty, strength and durability. It is readily fabricated from 4' x 8' sheets by a nationwide network of Authorized AFCC Fabricators and Distributors.

Colorlith HP Window Stools offer high performance at or below the cost of similar solid materials. This products' ease of fabrication allows job site cutting for custom installations.

Colorlith HP for Window Stools is available in three thicknesses: 3/4", 1" and 1 1/4", and four standard colors: Charcoal Gray, Woodland Brown, Surf Green and Meerscham White. Custom colors available upon request.

All Window Stools must be finished with two thin spray applied coats of ultra violet resistant vinyl lacquer. All surfaces of the stool must be sealed with vinyl lacquer. This lacquer coat protects the stool from moisture penetration and facilitates cleaning.

Colorlith HP Window Stools Do's and Don'ts

Do...

- Do** fabricate Colorlith HP dry
- Do** apply window stools to:
 - Cured concrete or masonry block
 - Wood stud frames
 - Metal stud frames
- Do** use H.B.Fuller Max Bond® construction adhesive
- Do** apply construction adhesive in 3/8" beads as detailed
- Do** use glueing pressure until construction adhesive has cured. Ex.: 8" concrete block with protective pads, jack studs, tile wedges
- Do** install window stool with caulk joint at the perimeter. Joint should be approx. 3/16" - 1/4"

Don't...

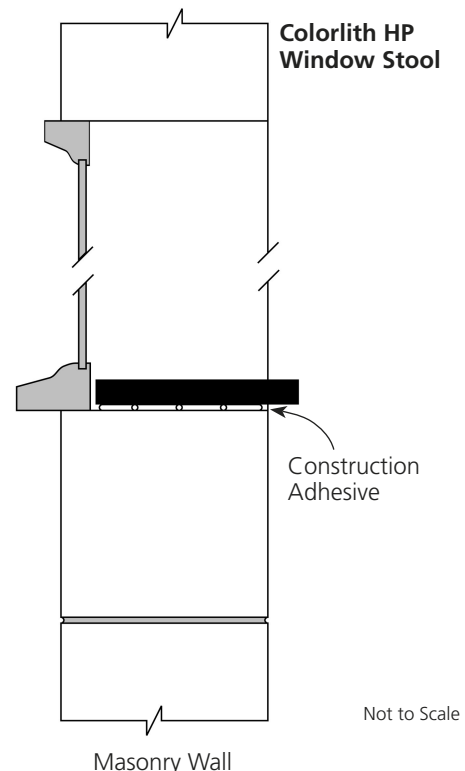
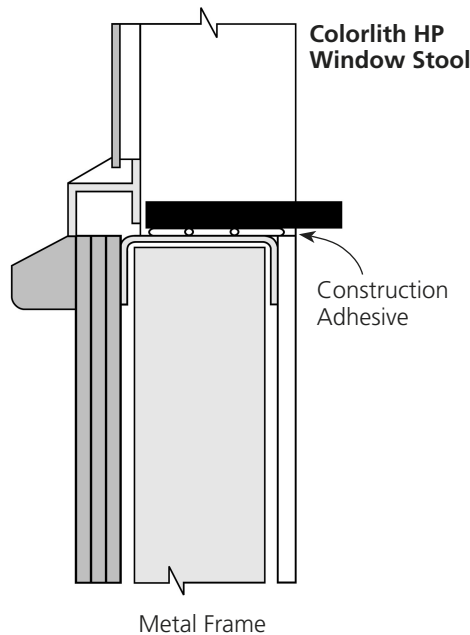
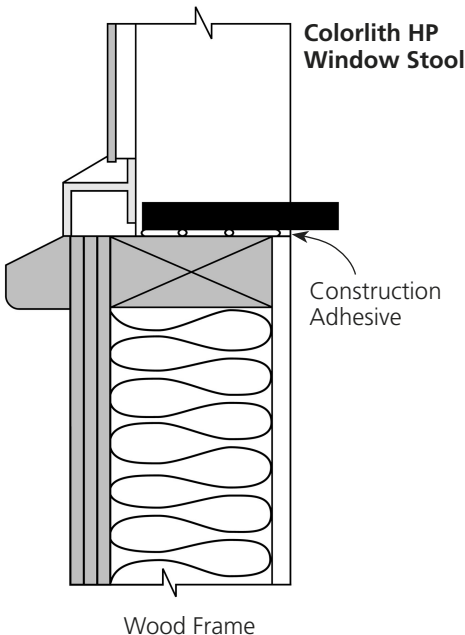
- Don't** use masonry mortar or thin set mortar
- Don't** use in exterior applications
- Don't** apply to new or uncured masonry walls or substrates which are out of flatness by more than ± 1/8" for the length and width of the bearing area
- Don't** place 3/8" bead of construction adhesive near stool edge where squeeze-out will show on face
- Don't** install window stools in unheated space or use adhesive below 40°F

Typical Installation Details



Recommended Adhesive Pattern

- 3/8" construction adhesive bead
- Window Stool approx. 9" x 60"



Not to Scale



Corporate Headquarters

Denver

6901 South Pierce Street
Suite 260

Littleton, CO 80128

Phone: 303-978-1199

800-688-8677

Fax: 303-978-0308

www.americanfibercement.com

Colorlith HP Plant Location

Billerica

400 Iron Horse Park
North Billerica, MA 01862

Phone: **978-663-3401**

800-888-0061

Fax: 978-663-2735

Limited Warranty

American Fiber Cement Corporation (AFCC) warrants that its products are manufactured in accordance with its applicable material specifications and are free from defects in materials and workmanship using AFCC's specifications as a standard. Only products which are installed and used in accordance with applicable AFCC instructions and specifications are in any way warranted by AFCC. This warranty is applicable only to claims made in writing and received by AFCC within thirty (30) days after the defect was discovered and within one (1) year after the date of the shipment of the product by AFCC. All other claims are waived. If a claim is made, you must allow reasonable investigation of the product you claim is defective and you must supply samples that adequately demonstrate the problem you claim for testing by AFCC.

AFCC DISCLAIMS ALL IMPLIED WARRANTIES INCLUDING THE WARRANTY OF MERCHANTABILITY AND THE WARRANTY OF FITNESS FOR A PARTICULAR PURPOSE. THIS LIMITED WARRANTY PROVIDES YOUR EXCLUSIVE REMEDY AS A PURCHASER OF AFCC PRODUCTS. THIS LIMITED WARRANTY MAY BE MODIFIED OR AMENDED ONLY BY A WRITTEN INSTRUMENT SIGNED BY A DULY AUTHORIZED REPRESENTATIVE OF AFCC. WITHOUT AN EXPRESS, WRITTEN AUTHORIZATION FROM AFCC, NO RETAILER OR DISTRIBUTOR OF BNZ PRODUCTS HAS THE AUTHORITY TO MODIFY OR AMEND THIS LIMITED WARRANTY.

Limitation of Liability

This limited warranty is your sole and exclusive remedy. It is expressly understood and agreed that the limit of liability will be, at AFCC's option, repair, resupply of a like quantity of non-defective product, or refund of purchase price of the material. All labor and service charges which may be incurred with respect to either the original or replacement product are excluded. AFCC shall have no liability except where the claim results solely from breach of AFCC's limited warranty.

AFCC SHALL NOT BE LIABLE FOR ANY INCIDENTAL OR CONSEQUENTIAL DAMAGES. FURTHERMORE, AFCC SHALL NOT BE LIABLE FOR DAMAGE TO THE PROPERTY TO WHICH THE PRODUCT IS APPLIED OR ITS CONTENTS, LOSS OF TIME, PROFITS, OR ANY INCONVENIENCE ARISING OUT OF ANY BREACH OF THIS LIMITED WARRANTY OR OBLIGATIONS UNDER THIS LIMITED WARRANTY. AFCC SHALL NOT BE LIABLE FOR ANY DAMAGES WHICH ARE BASED UPON NEGLIGENCE, BREACH OF WARRANTY, STRICT LIABILITY, OR ANY OTHER THEORY EXCEPT THE LIMITED WARRANTY SET FORTH ABOVE. INCIDENTAL AND CONSEQUENTIAL DAMAGES SHALL NOT BE RECOVERABLE EVEN IF THE REPLACEMENT REMEDY FAILS OF ITS PURPOSE OR FOR ANY OTHER REASON.