

Donna Anglada

From: Maj-Britt Møller [Maj-Britt.Moller@dansketernit.dk]
Sent: Tuesday, November 20, 2007 1:23 AM
To: Donna Anglada
Cc: Jan Deding
Subject: 2005-11-07_Weather_Boarding_Wood-Screws[1]

General Guideline for Installing Exterior Ventilated “Weather Boarding” on Wood using Screws

- a) Board, Cembonit (CEM), Minerit (MIN HD) or Minerit Prisma Color (Minerit PC)
- 5) Distance between two boards: 5-10 mm
- 7) Dimension of wood stud: minimum 22 x 45 mm
- 10) EPDM-strips on wood studs: 3 x 30 mm
- 11) Screw distance from edge parallel to the wood stud: 25 mm
- 12) Screw distance from edge perpendicular to the wood stud: 70 mm
- 13) Maximum stud c-c distance:

	Board installed in vertical plane (e.g. facade)
Up to 6 mm	425 mm
Over 6 mm	625 mm

- 14) Maximum fixing distance:

	Board installed in vertical plane (e.g. facade)
< 20 metres	400 mm
20-38 metres	300 mm
≥ 38 metres	Contact Technical Service Centre

- 17) Dilatation point when using screws for wood studs: Ø 7 mm
- 18) Selfdrilling screw for wood:
DE-flex facade screw, stainless steel CI-SW 4.5x41 mm
- 28) Dimension of wood stud: minimum 38 x 56 mm
- 29) Tack to fasten the lower board until the upper board has been installed 2.5 x 40 mm
or screw for wood with flat head 4.2 x 25 mm
- 30) Distance from the edge of the board to the screw: 5 mm
- 31) Overlap: 20 mm

- | | | | | |
|-----|---|---------|-----|----|
| 32) | Distance between wood studs | maximum | 835 | mm |
| 38) | Distance from the edge of the stud to the screw | | 15 | mm |

To be sure that the laws and regulations of each country, region or project are followed, it is necessary to make specific static calculations.

It is very important to remove dust from drilling and cutting immediately to avoid the dust from "burning" permanently to the board.

Wood quality of studs: Suitable for framing (for instance EN 338:1995). Studs of pressure creosoted wood: Not recommended.

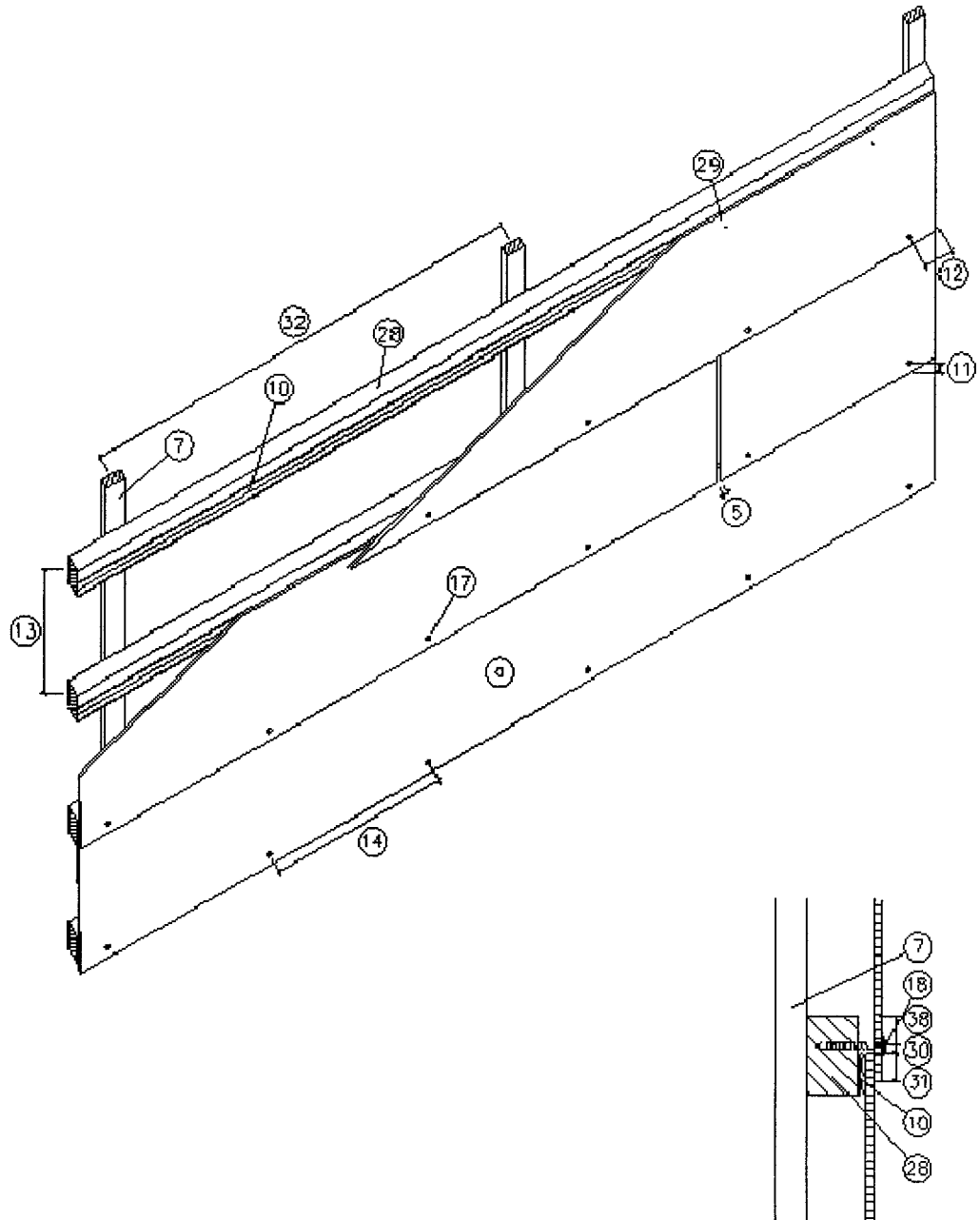
The wood studs may never be longer than 6.1 m, with an air gap of minimum 10 mm between the studs.

There has to be a running air gap of minimum 10 mm at each floor (maximum 3.05 m) in order to ventilate the boards/the construction.

The screw in the centre of the board has to be fixed, in order to minimize the movement of the boards.

The screws are to be tightened with about 4 Nm. Please, test the torque before setting the Nm otherwise, you might destroy the board, because it will not have the possibility to move.

Please also see all pages in the Files named "Attaching" and "Execution".



<http://www.deh.dk/Default.asp?ID=728&Folder=%2FGeneral+installation+guidelines%2FDrawings%2FWeather+Boarding>