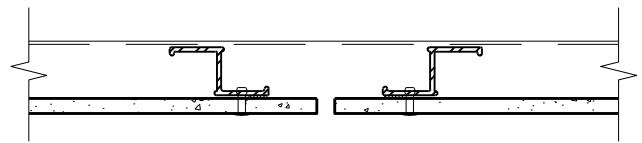
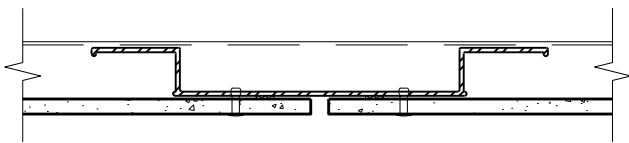


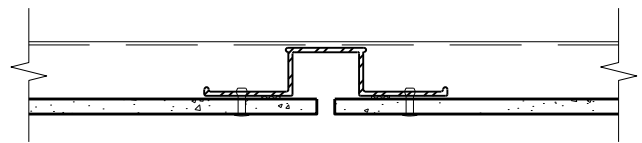
OPTION #1



OPTION #2



OPTION #3



OPTION #4



SCALE: 6"=1'-0"

NOTES:

1. PANEL VERTICAL AND HORIZONTAL JOINT SPACING SHOULD BE 3/8" TYPICAL.

6901 S. Pierce St. Ste. 180 Littleton, CO 80128

Phone #: 1.800.688.8677

Fax: 1.303.978.1199

www.americanfibercement.com

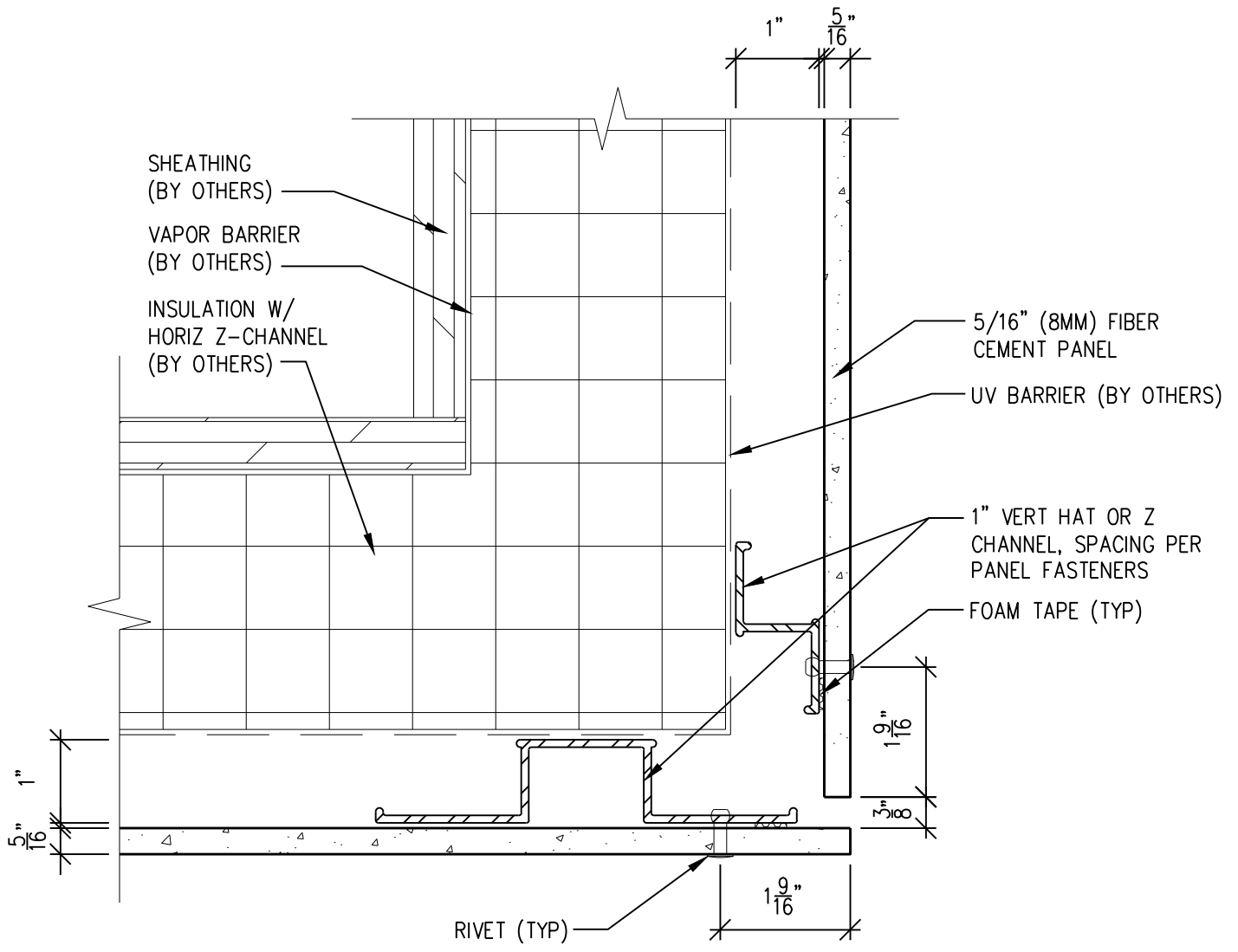


**American Fiber
Cement Corporation**

Ref.:

Typical Vertical
Panel Joint Detail

Date: 8/15/2018



NOTES:

1. PANEL VERTICAL AND HORIZONTAL JOINT SPACING SHOULD BE 3/8" TYPICAL.



SCALE: 6"=1'-0"

6901 S. Pierce St. Ste. 180 Littleton, CO 80128

Phone #: 1.800.688.8677

Fax: 1.303.978.1199

www.americanfibercement.com

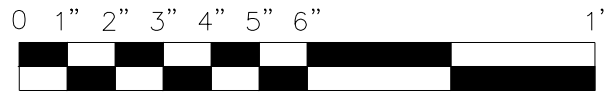
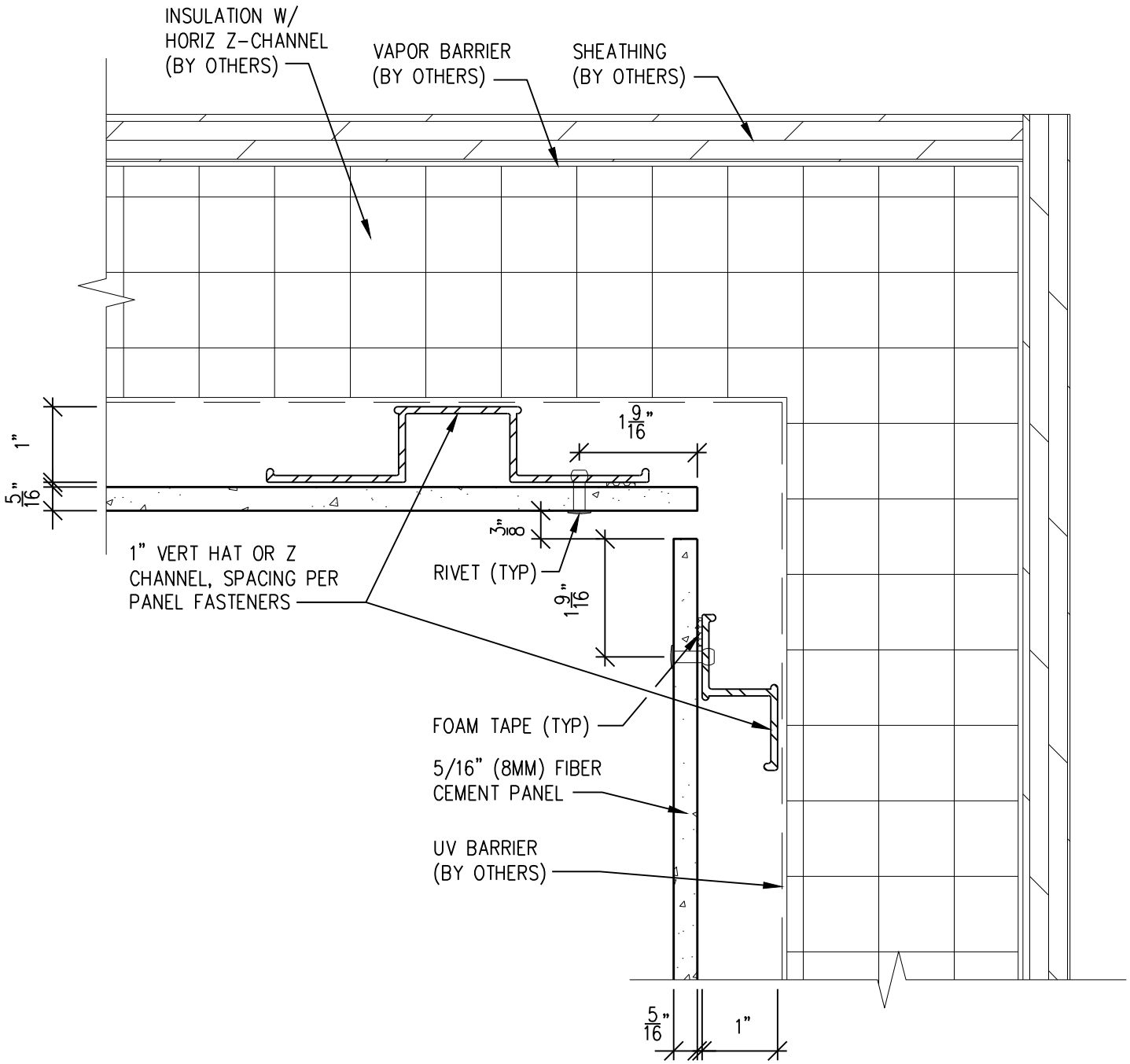


**American Fiber
Cement Corporation**

Ref.:

Typical Outside
Corner Detail

Date: 8/15/2018



SCALE: 6"=1'-0"

- NOTES:
1. PANEL VERTICAL AND HORIZONTAL JOINT SPACING SHOULD BE 3/8" TYPICAL.

6901 S. Pierce St. Ste. 180 Littleton, CO 80128

Phone #: 1.800.688.8677

Fax: 1.303.978.1199

www.americanfibercement.com

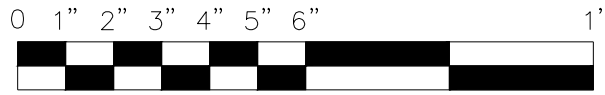
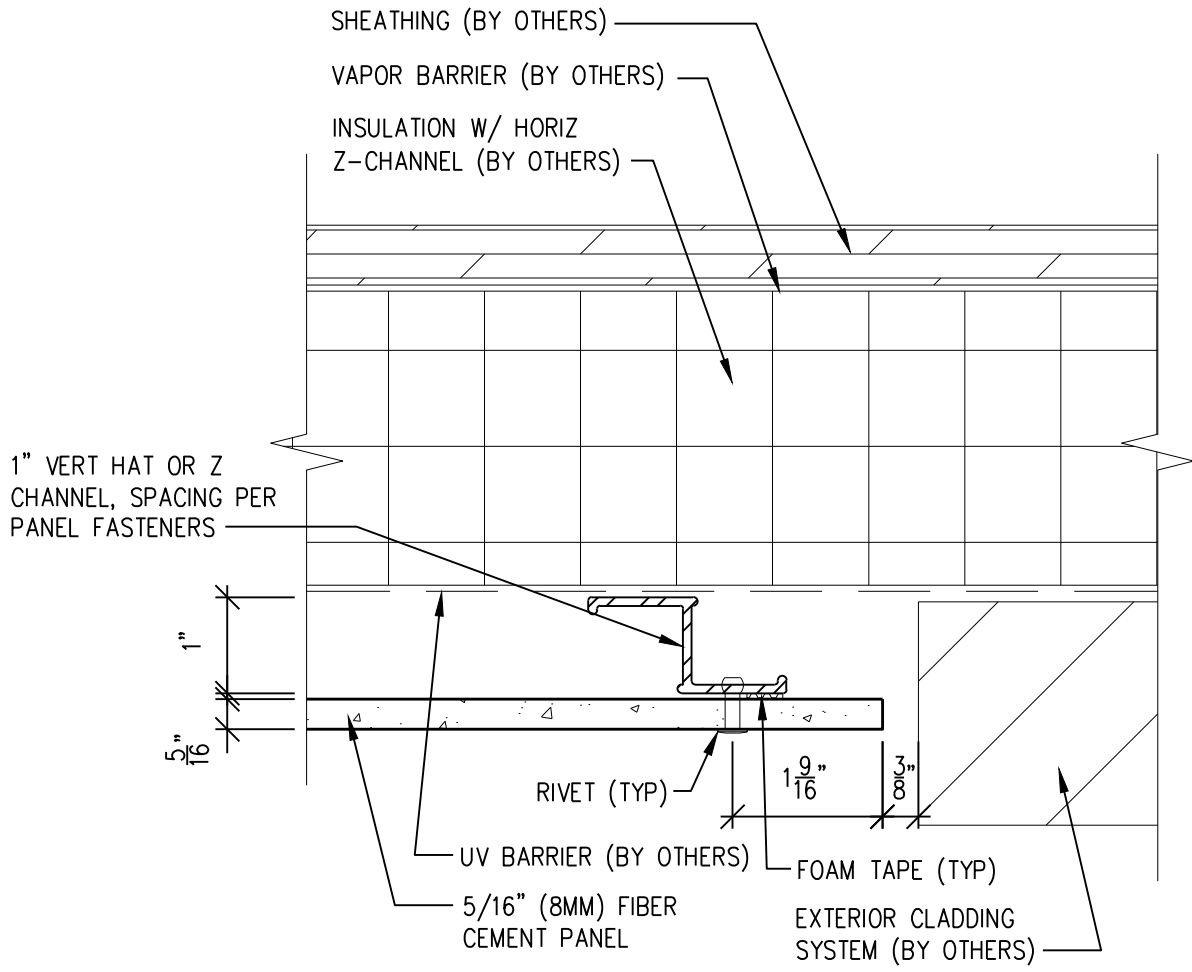


**American Fiber
Cement Corporation**

Ref.:

**Typical Inside
Corner Detail**

Date: 8/15/2018



SCALE: 6"=1'-0"

NOTES:

1. PANEL VERTICAL AND HORIZONTAL JOINT SPACING SHOULD BE 3/8" TYPICAL.

6901 S. Pierce St. Ste. 180 Littleton, CO 80128

Phone #: 1.800.688.8677

Fax: 1.303.978.1199

www.americanfibercement.com

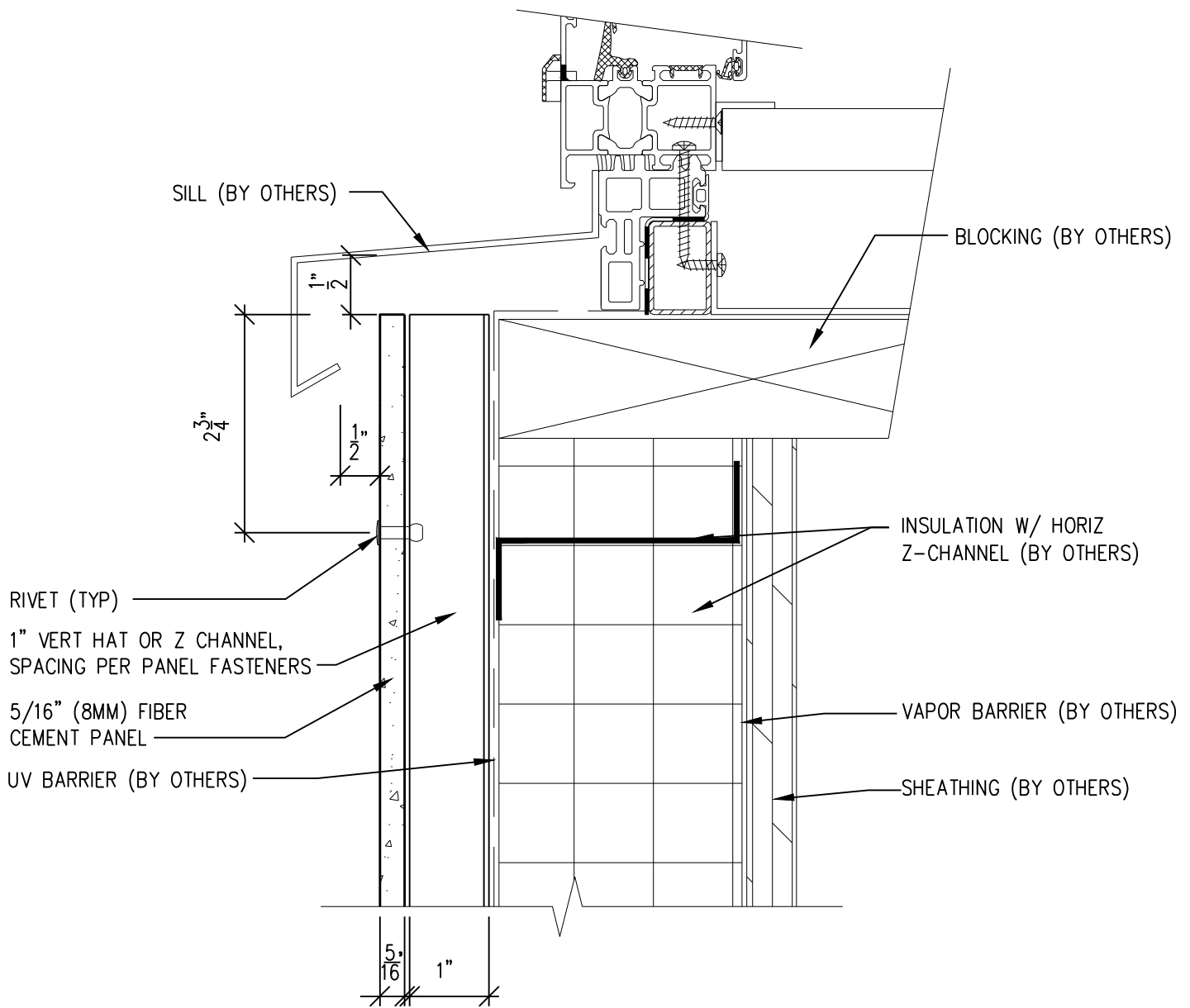


**American Fiber
Cement Corporation**

Ref.:

Typical Butt
Joint Detail

Date: 8/15/2018



SCALF: 6"=1'-0"

- NOTES:**
1. PANEL VERTICAL AND HORIZONTAL JOINT SPACING SHOULD BE 3/8" TYPICAL.

6901 S. Pierce St. Ste. 180 Littleton, CO 80128

Phone #: 1.800.688.8677

Fax: 1.303.978.1199

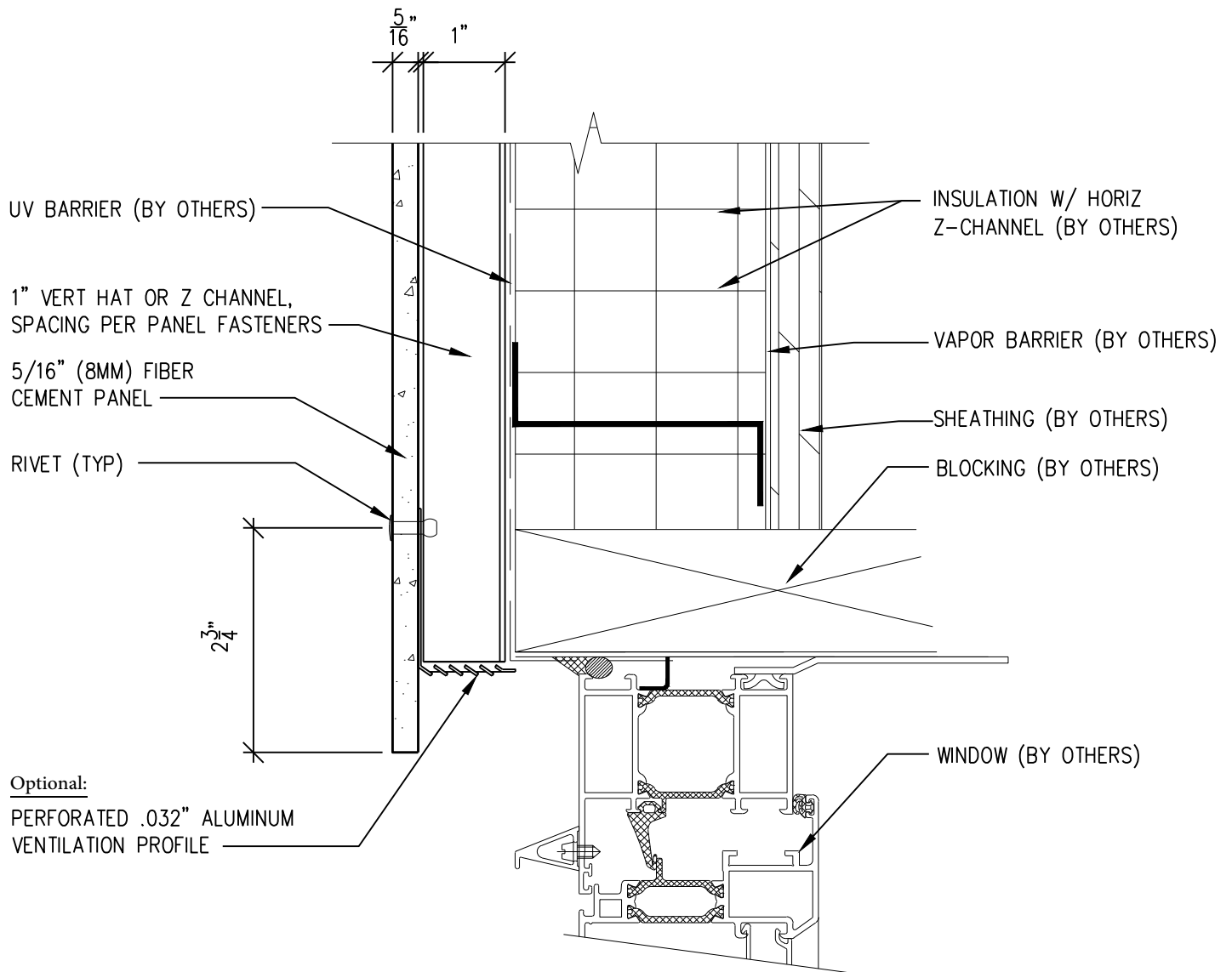
www.americanfibercement.com



**American Fiber
Cement Corporation**

Ref.:
**Typical Window
Sill Detail**

Date: 8/15/2018



Optional:

PERFORATED .032" ALUMINUM
VENTILATION PROFILE



SCALE: 6"=1'-0"

NOTES:

1. PANEL VERTICAL AND HORIZONTAL JOINT SPACING SHOULD BE 3/8" TYPICAL.

6901 S. Pierce St. Ste. 180 Littleton, CO 80128

Phone #: 1.800.688.8677

Fax: 1.303.978.1199

www.americanfibercement.com

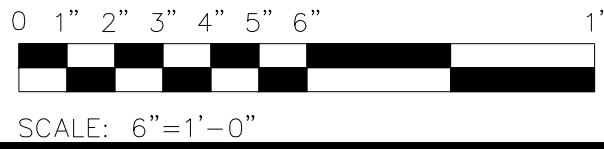
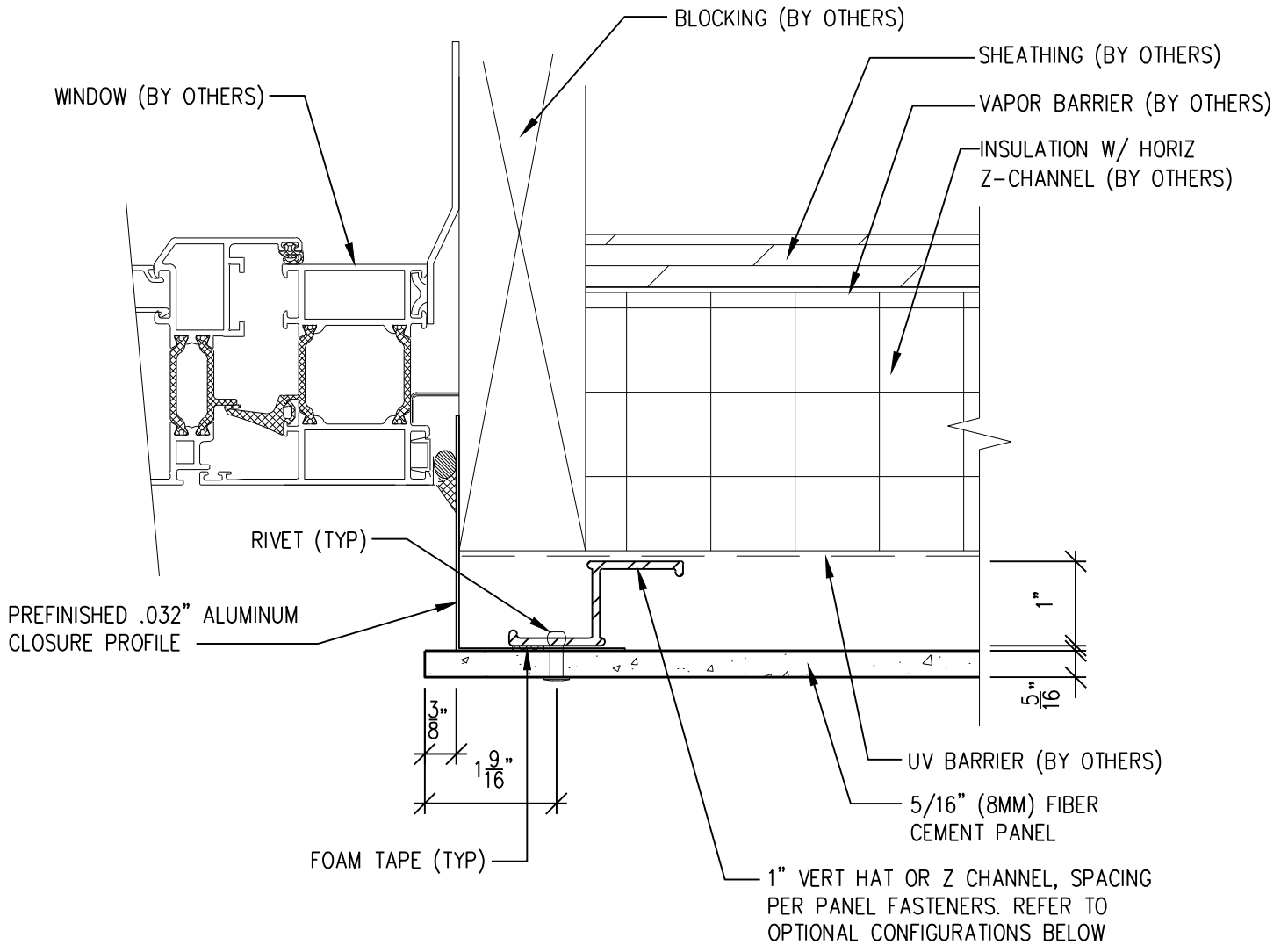


**American Fiber
Cement Corporation**

Ref.:

**Typical Window
Head Detail**

Date: 8/15/2018



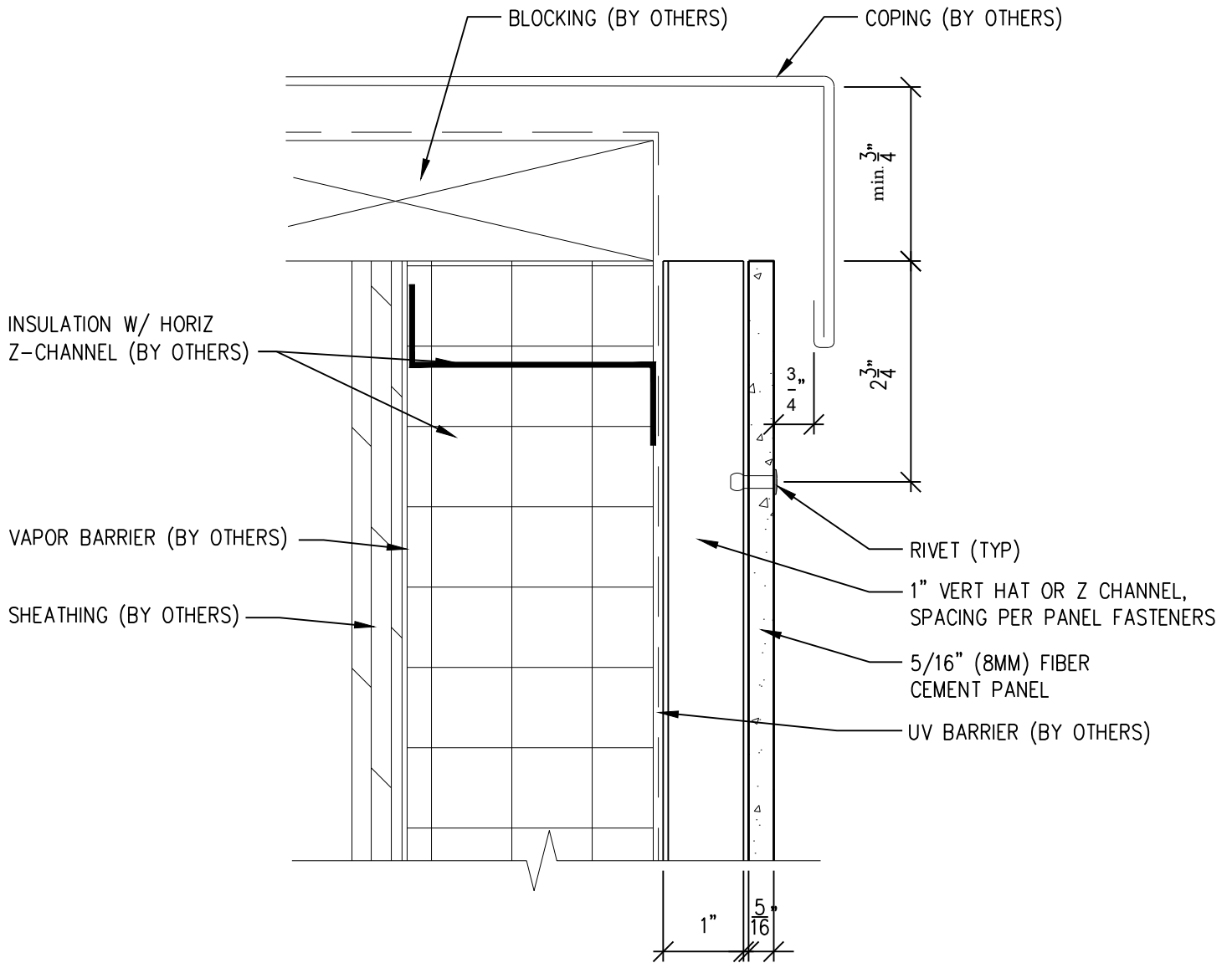
- NOTES:**
1. PANEL VERTICAL AND HORIZONTAL JOINT SPACING SHOULD BE 3/8" TYPICAL.

6901 S. Pierce St. Ste. 180 Littleton, CO 80128
 Phone #: 1.800.688.8677
 Fax: 1.303.978.1199
 www.americanfibercement.com



Ref.:
**Typical Window
 Jamb Detail**

Date: 8/15/2018



SCALE: 6"=1'-0"

NOTES:

1. PANEL VERTICAL AND HORIZONTAL JOINT SPACING SHOULD BE 3/8" TYPICAL.

6901 S. Pierce St. Ste. 180 Littleton, CO 80128

Phone #: 1.800.688.8677

Fax: 1.303.978.1199

www.americanfibercement.com



**American Fiber
Cement Corporation**

Ref.:

Typical Coping
Panel Detail

Date: 8/15/2018