

# One Layer Wood Attachment System with Screws

---



AMERICAN  
FIBER CEMENT

---



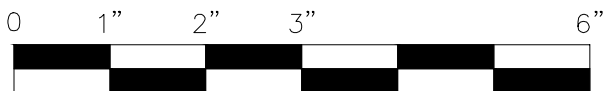
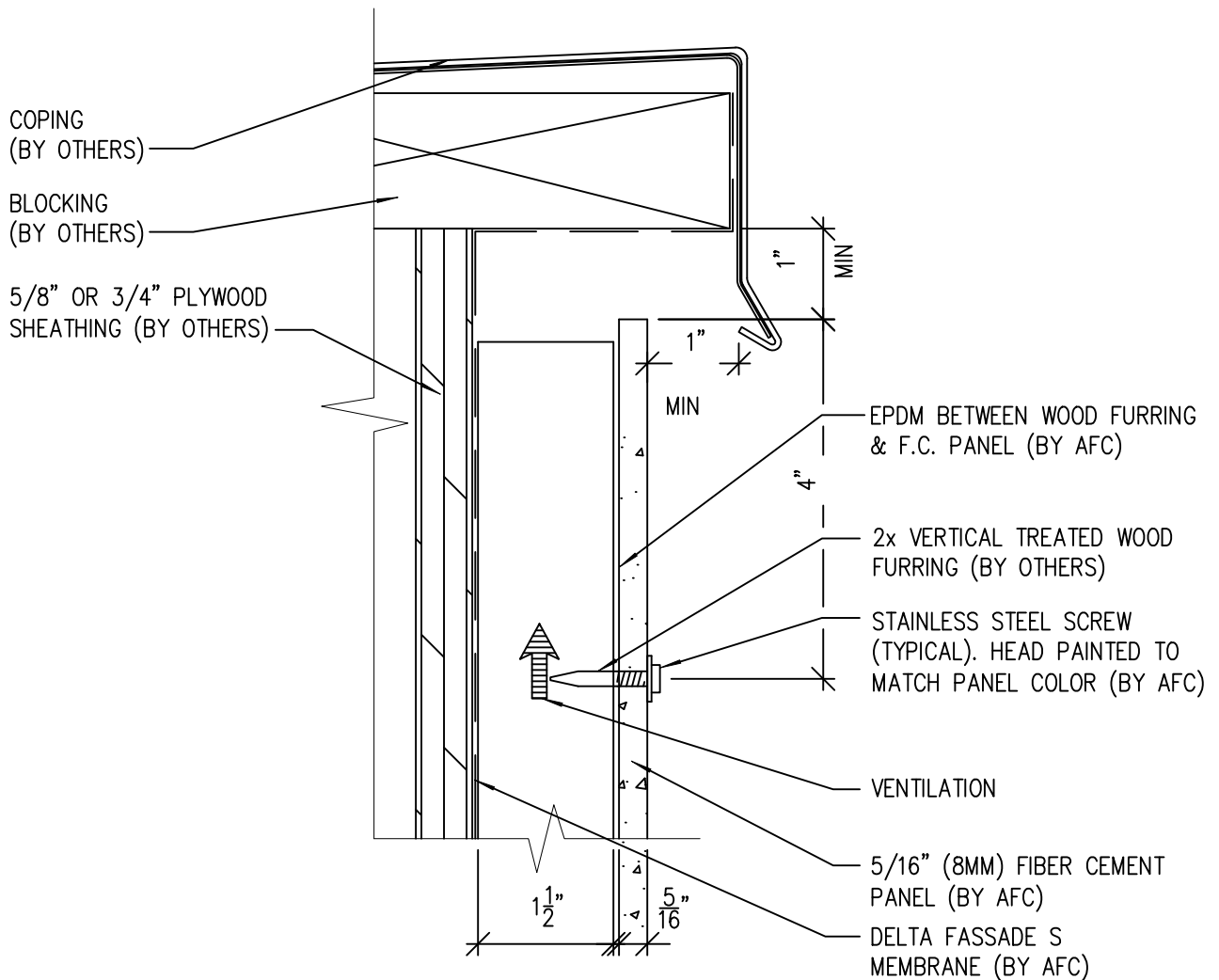
Fiber Cement Ventilated Rainscreen System



## Typical Details

- Page 3: Top Panel @ Coping
- Page 4: Top Panel @ Soffit
- Page 5: Top of Panel @ F.C.P Soffit
- Page 6: Horizontal Joint @ Continuous Substrate
- Page 7: Horizontal Joint @ Break In Substrate
- Page 8: Not Permitted @ Break in Substrate
- Page 9: Bottom of Panel @ Wall Base
- Page 10: Bottom of Panel @ Open Termination
- Page 11: Bottom of Panel @ Low Roof Flashing
- Page 12: Bottom of Panel @ Soffit
- Page 13: Bottom of Panel @ Soffit (Alternate)
- Page 14: Bottom of Panel @ F.C.P Soffit
- Page 15: Bottom of Panel @ F.C.P Soffit (Alternate)
- Page 16: Soffit Termination @ Adjacent Material
- Page 17: Bottom of Panel @ Window Head
- Page 18: Bottom of Panel @ Window Head (Alternate)
- Page 19: Top of Panel @ Window Sill
- Page 20: Panel Edge @ Window Jamb
- Page 21: Panel Edge @ Window Jamb (Alternate)
- Page 22: Vertical Panel Joint Option 1
- Page 23: Vertical Panel Joint Option 2
- Page 24: Panel Edge @ Butt Joint
- Page 25: Panels @ Outside Corner
- Page 26: Panels @ Inside Corner
- Page 27: Typical Fastener Layout

# One Layer Wood Attachment System- Screws



SCALE : 1 1/2" = 1'-0"

**NOTES:**

1. PANEL VERTICAL AND HORIZONTAL JOINT SPACING SHOULD BE 3/8" TYPICAL.

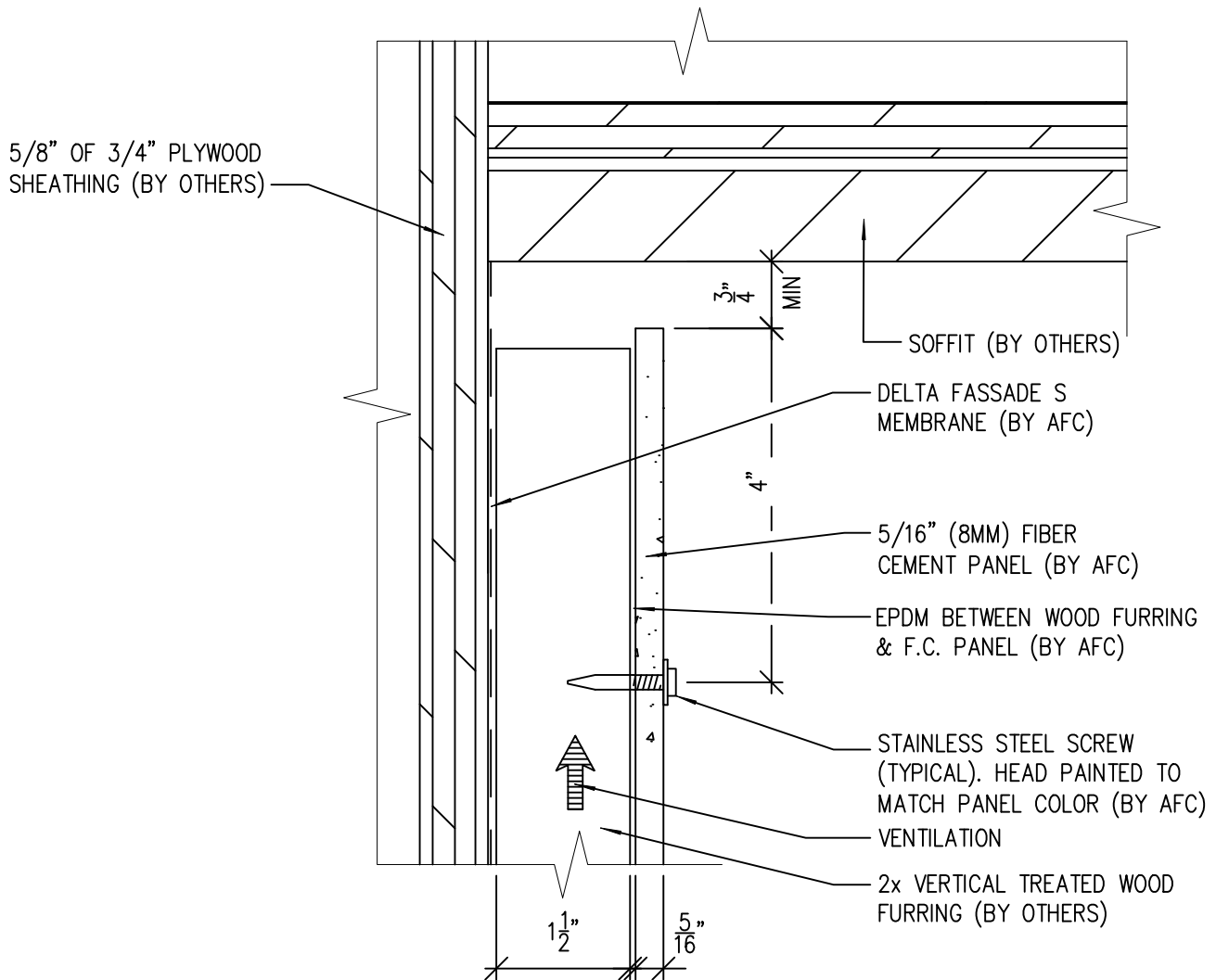


(303) 972-5107  
 6901 S Pierce St #180  
 Littleton, CO 80128  
[www.americanfibercement.com](http://www.americanfibercement.com)

Ref.:  
 Top of Panel @ Coping

Date: 06/07/2023

# One Layer Wood Attachment System- Screws



SCALE : 1.1/2" = 1" - 0"

**NOTES:**

1. PANEL VERTICAL AND HORIZONTAL JOINT SPACING SHOULD BE 3/8" TYPICAL.

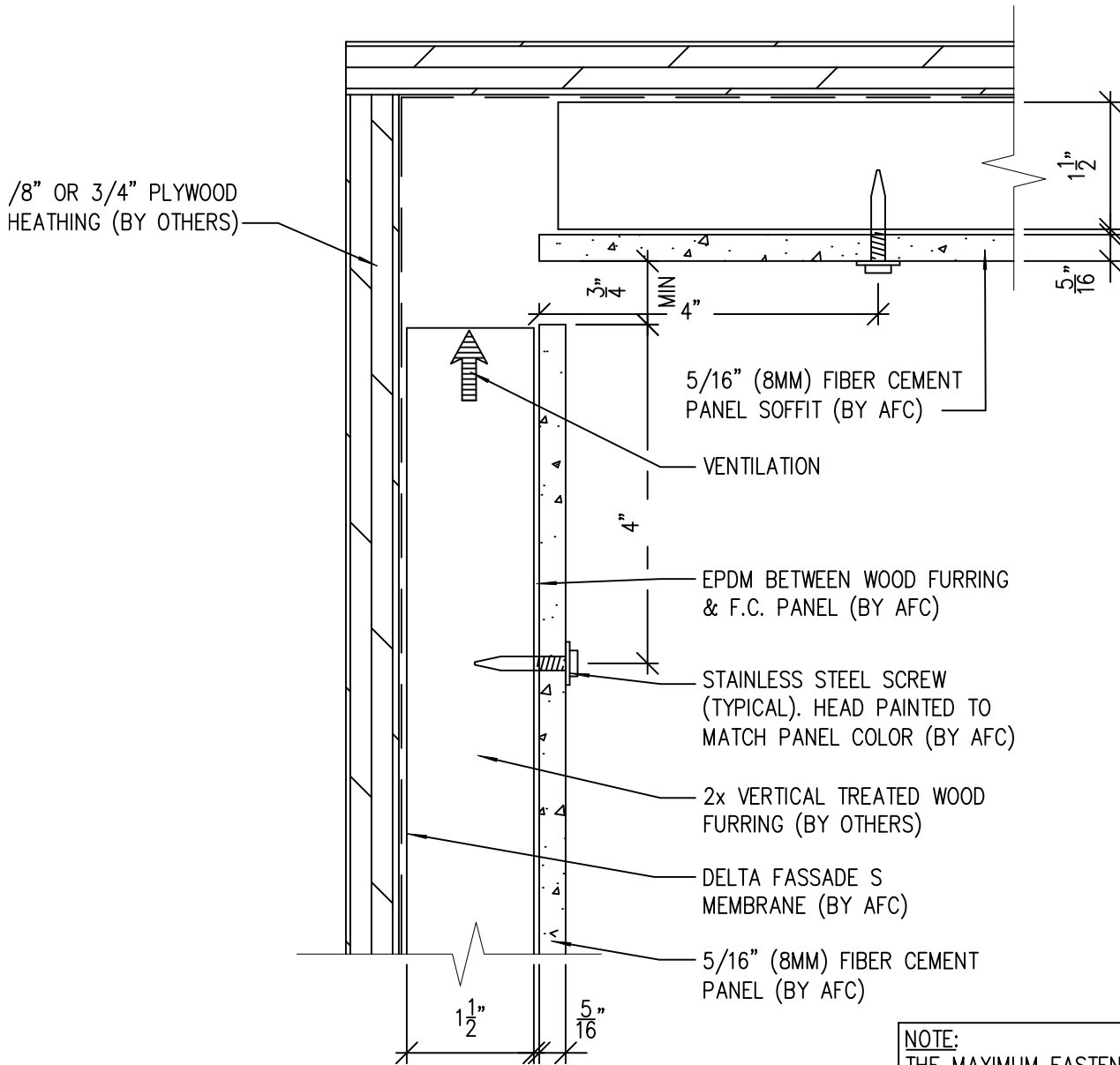


(303) 972-5107  
 6901 S Pierce St #180  
 Littleton, CO 80128  
[www.americanfibercement.com](http://www.americanfibercement.com)

Ref.:  
 Top of Panel @ Soffit

Date: 06/07/2023

# One Layer Wood Attachment System- Screws



**NOTE:**  
 THE MAXIMUM FASTENER SPACING FOR SOFFIT PANELS IS 16" O.C.



SCALE : 1 1/2" = 1'-0"

- NOTES:**
1. PANEL VERTICAL AND HORIZONTAL JOINT SPACING SHOULD BE 3/8" TYPICAL.

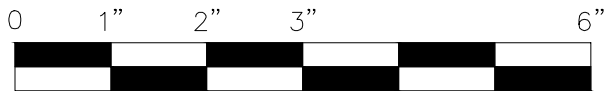
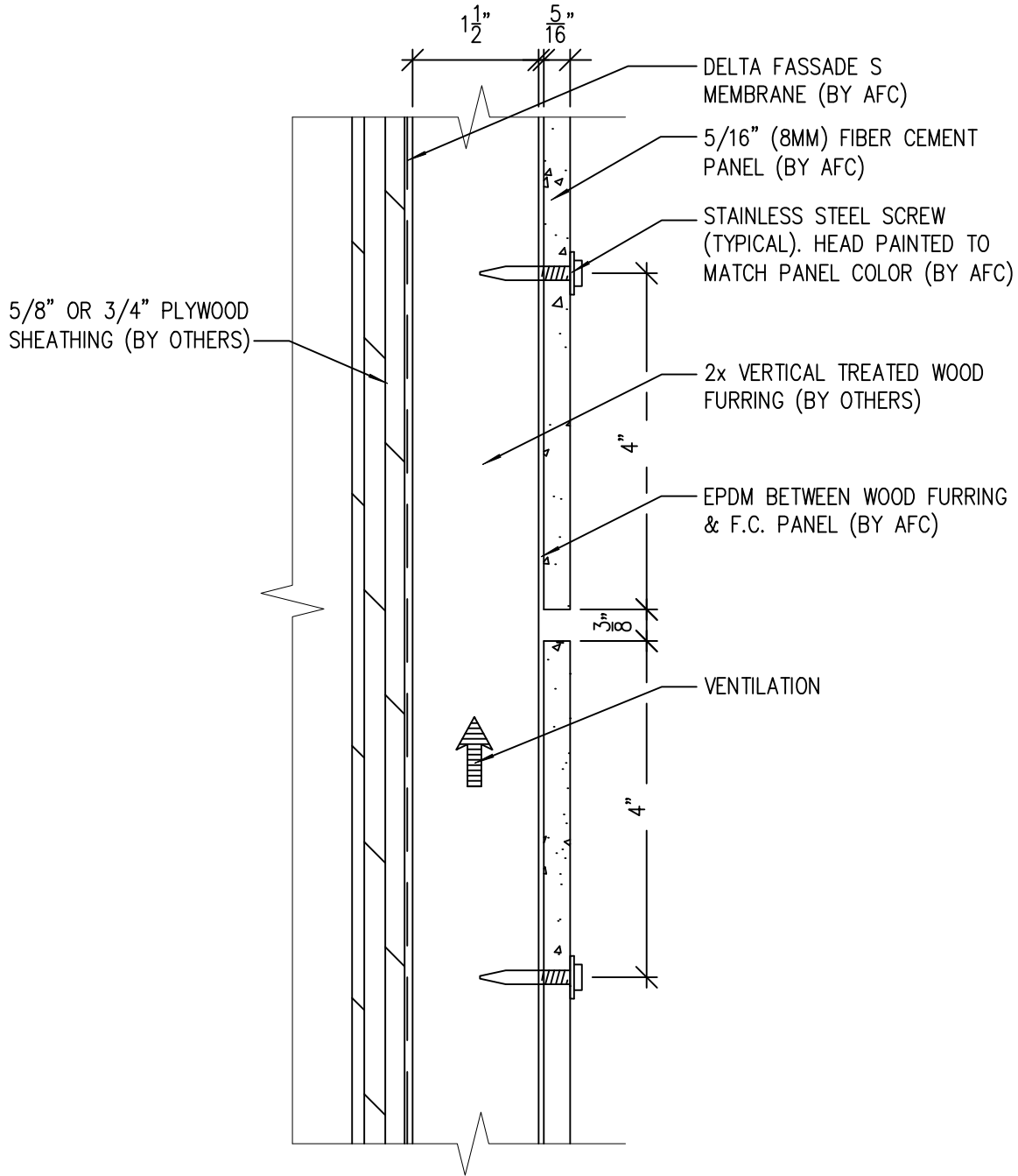


(303) 972-5107  
 6901 S Pierce St #180  
 Littleton, CO 80128  
[www.americanfibercement.com](http://www.americanfibercement.com)

Ref.: Top of Panel @ F.C.P. Soffit

Date: 06/07/2023

# One Layer Wood Attachment System- Screws



SCALE : 1 1/2" = 1" - 0"

**NOTES:**

1. PANEL VERTICAL AND HORIZONTAL JOINT SPACING SHOULD BE 3/8" TYPICAL.

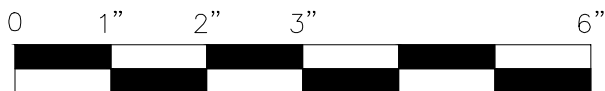
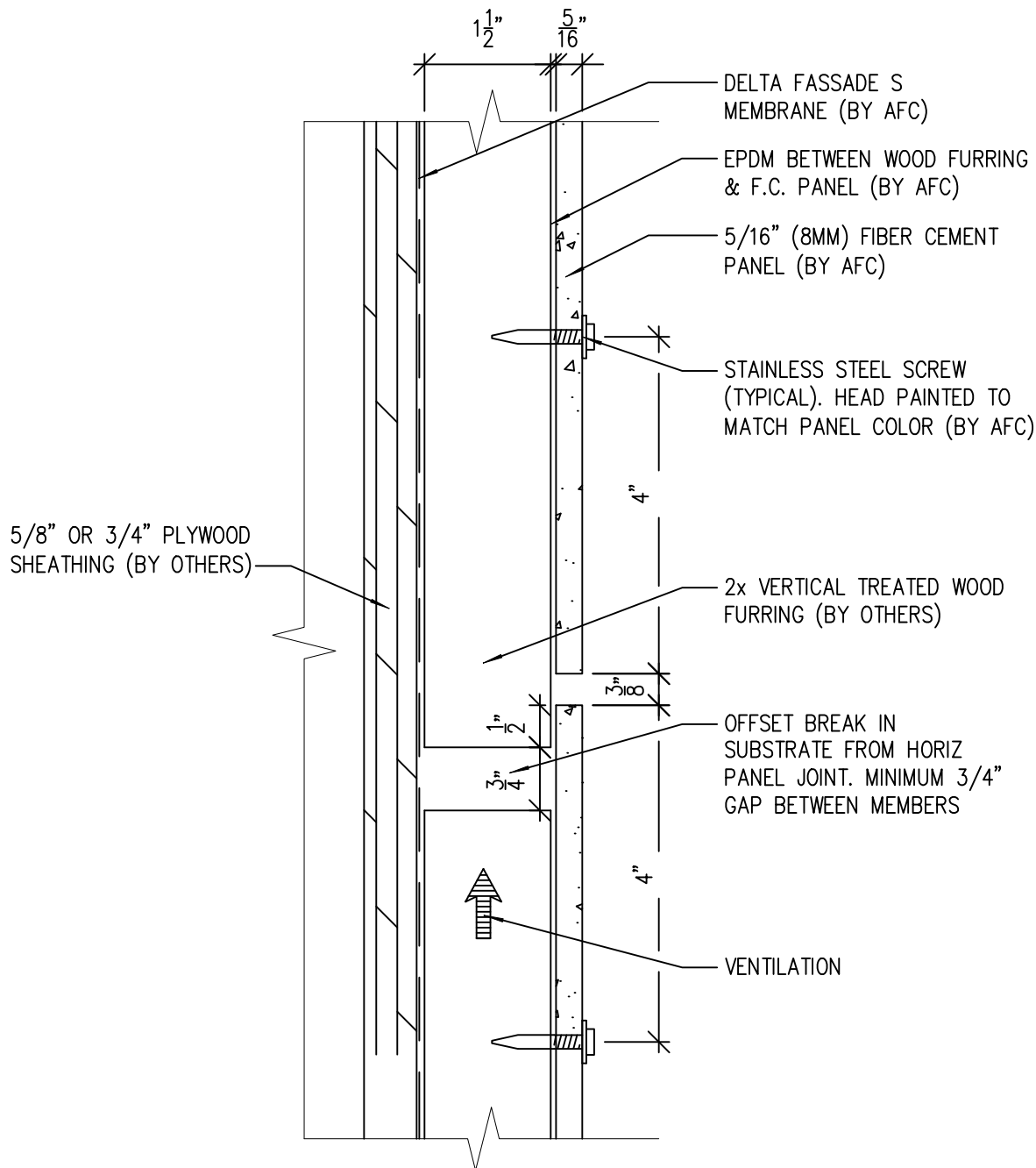


(303) 972-5107  
 6901 S Pierce St #180  
 Littleton, CO 80128  
[www.americanfibercement.com](http://www.americanfibercement.com)

Ref.: Horizontal Joint @  
 Continuous Substrate

Date: 06/07/2023

# One Layer Wood Attachment System- Screws



SCALE : 1 1/2" = 1'-0"

**NOTES:**

1. PANEL VERTICAL AND HORIZONTAL JOINT SPACING SHOULD BE 3/8" TYPICAL.



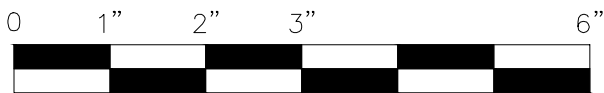
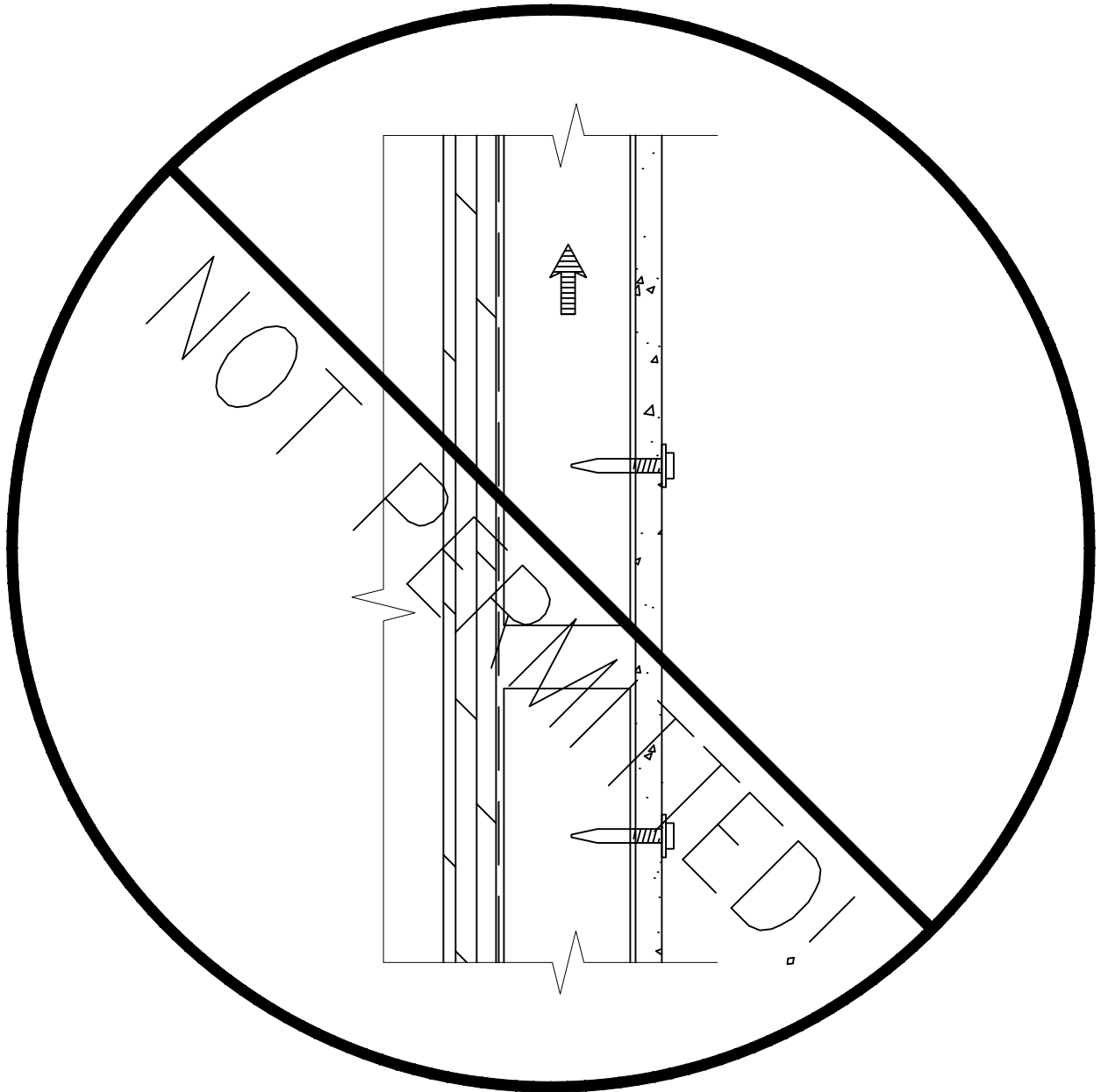
(303) 972-5107  
 6901 S Pierce St #180  
 Littleton, CO 80128

[www.americanfiber cement.com](http://www.americanfiber cement.com)

Ref.: Horizontal Joint @  
 Break in Substrate

Date: 06/07/2023

# One Layer Wood Attachment System- Screws



SCALE : 1.5" = 1'-0"

**NOTES:**

1. PANEL VERTICAL AND HORIZONTAL JOINT SPACING SHOULD BE 3/8" TYPICAL.



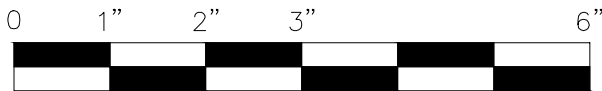
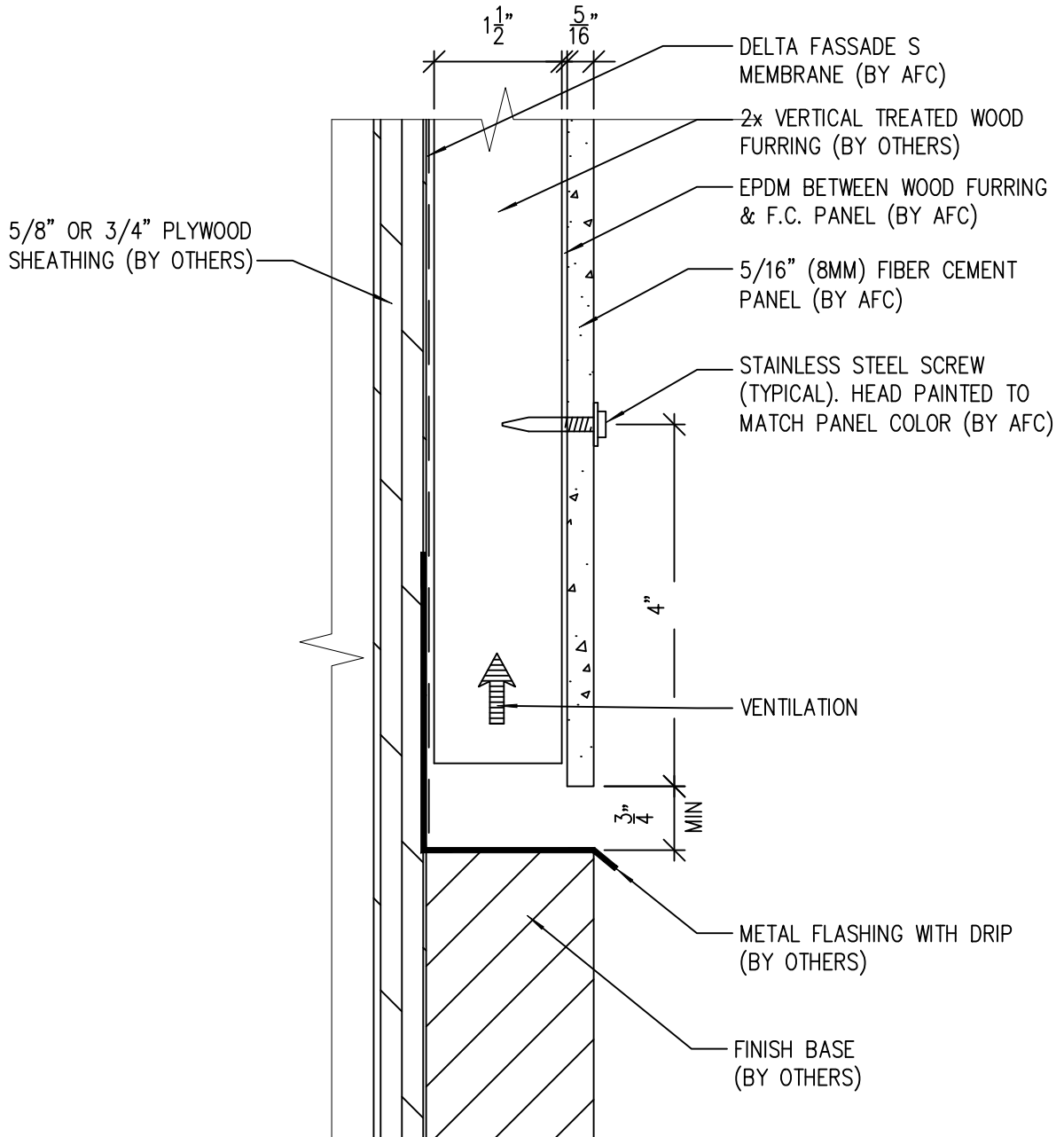
(303) 972-5107  
6901 S Pierce St #180  
Littleton, CO 80128  
[www.americanfiber cement.com](http://www.americanfiber cement.com)

Ref.: Not Permitted @  
Break in Substrate

Date: 06/07/2023



# One Layer Wood Attachment System- Screws



SCALE : 1 1/2" = 1" - 0"

**NOTES:**

1. PANEL VERTICAL AND HORIZONTAL JOINT SPACING SHOULD BE 3/8" TYPICAL.

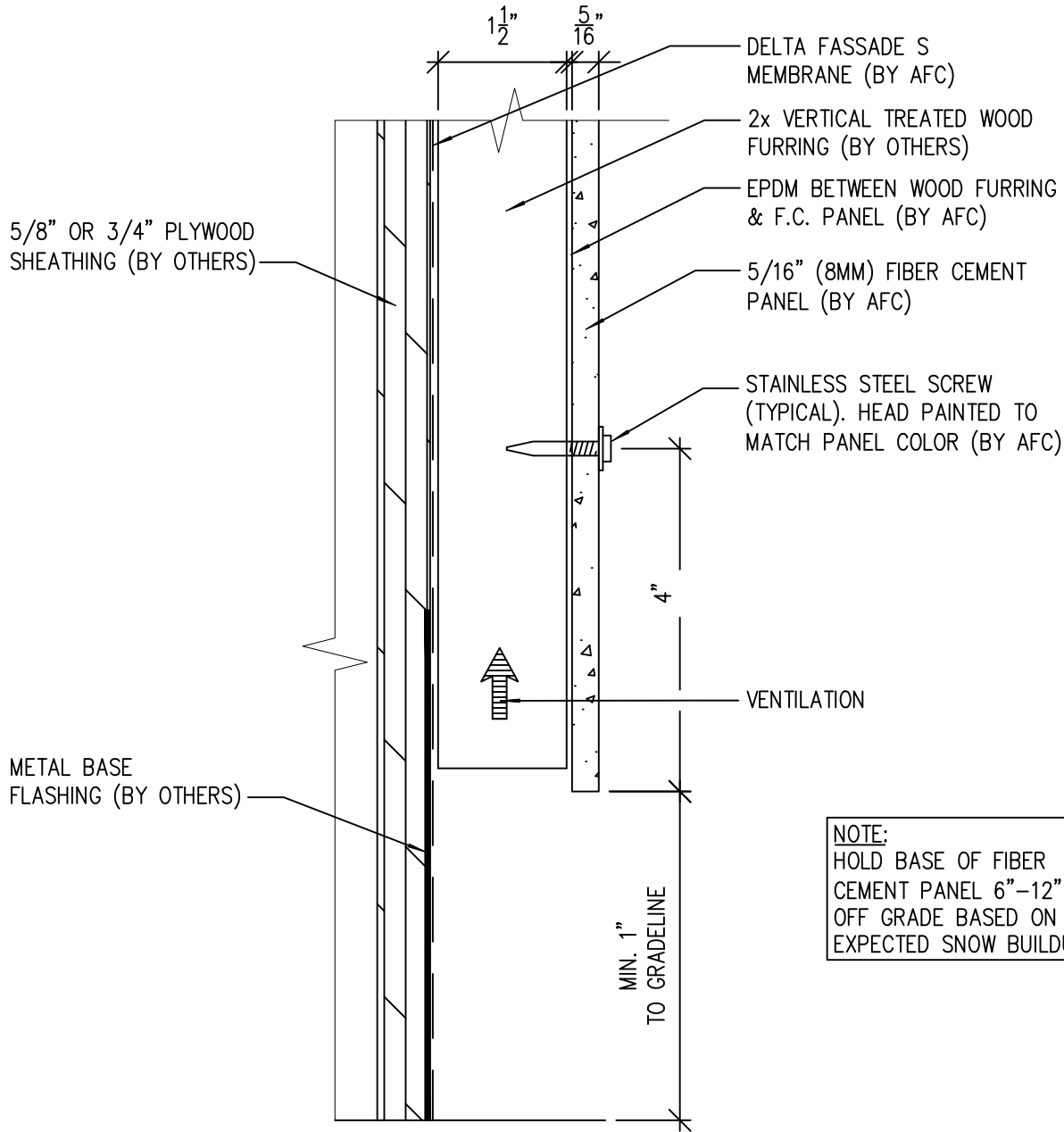


(303) 972-5107  
 6901 S Pierce St #180  
 Littleton, CO 80128  
[www.americanfiberceement.com](http://www.americanfiberceement.com)

Ref.: Bottom of Panel @  
 Wall Base

Date: 06/07/2023

# One Layer Wood Attachment System- Screws



**NOTE:**  
 HOLD BASE OF FIBER CEMENT PANEL 6"–12" OFF GRADE BASED ON EXPECTED SNOW BUILDUP



SCALE : 1 1/2" = 1'-0"

**NOTES:**

1. PANEL VERTICAL AND HORIZONTAL JOINT SPACING SHOULD BE 3/8" TYPICAL.

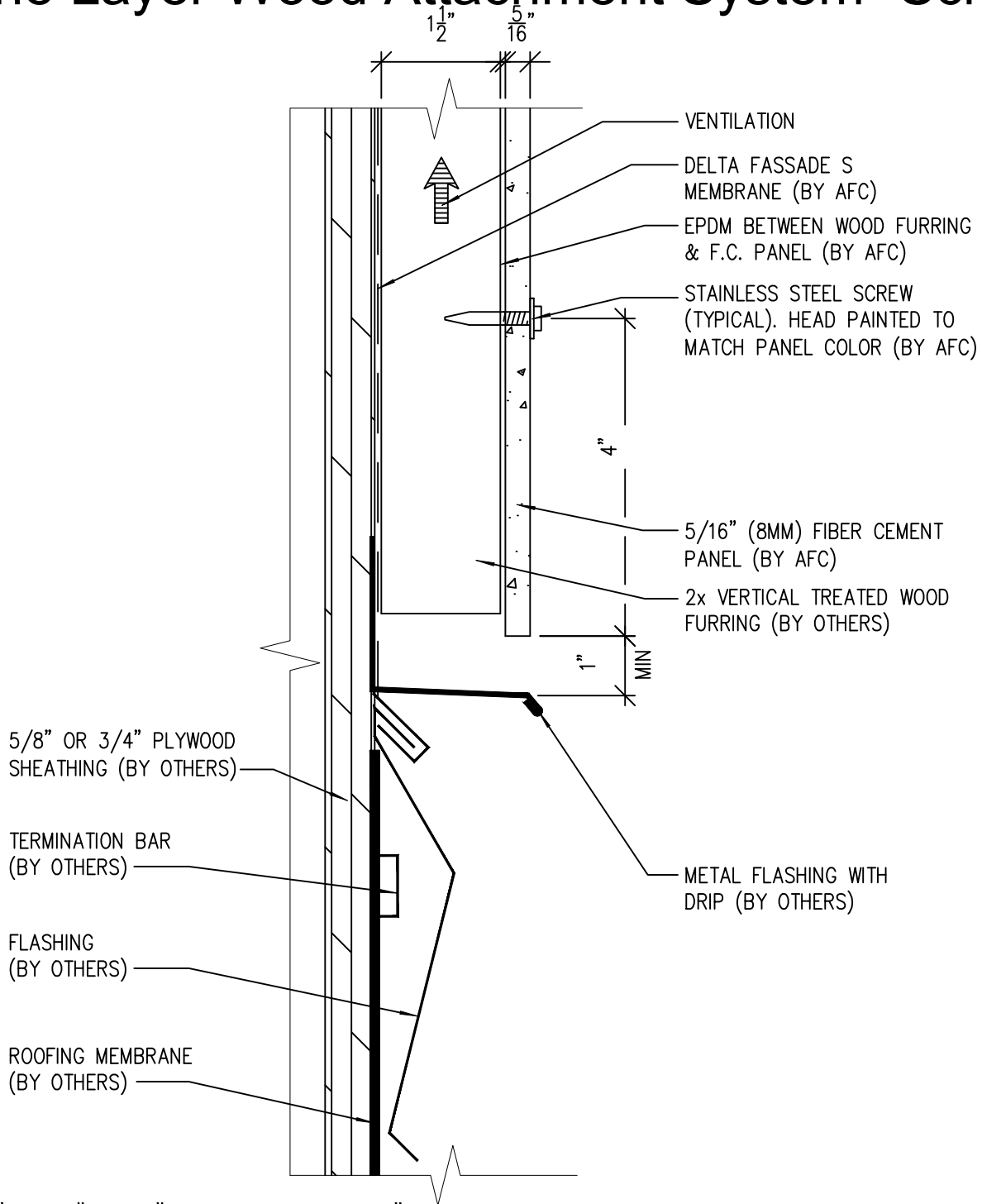


(303) 972-5107  
 6901 S Pierce St #180  
 Littleton, CO 80128  
[www.americanfibercement.com](http://www.americanfibercement.com)

Ref.: Bottom of Panel @  
 Open Termination

Date: 06/07/2023

# One Layer Wood Attachment System- Screws



**NOTES:**

1. PANEL VERTICAL AND HORIZONTAL JOINT SPACING SHOULD BE 3/8" TYPICAL.

SCALE : 1 1/2" = 1'-0"



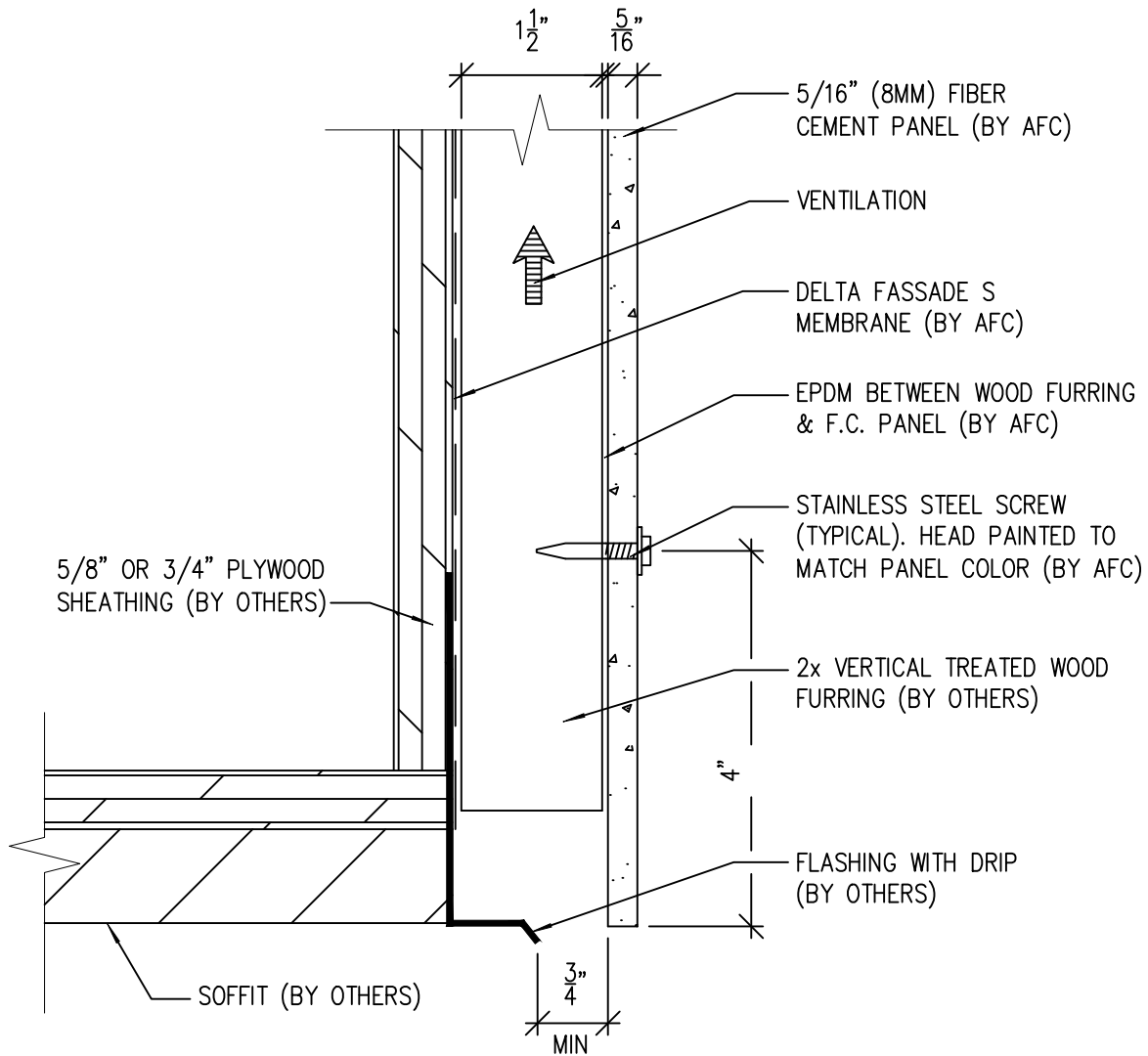
(303) 972-5107  
6901 S Pierce St #180  
Littleton, CO 80128

[www.americanfibercement.com](http://www.americanfibercement.com)

Ref.: Bottom of Panel @  
Low Roof Flashing

Date: 06/07/2023

# One Layer Wood Attachment System- Screws



SCALE : 1 1/2" = 1'-0"

**NOTES:**

1. PANEL VERTICAL AND HORIZONTAL JOINT SPACING SHOULD BE 3/8" TYPICAL.

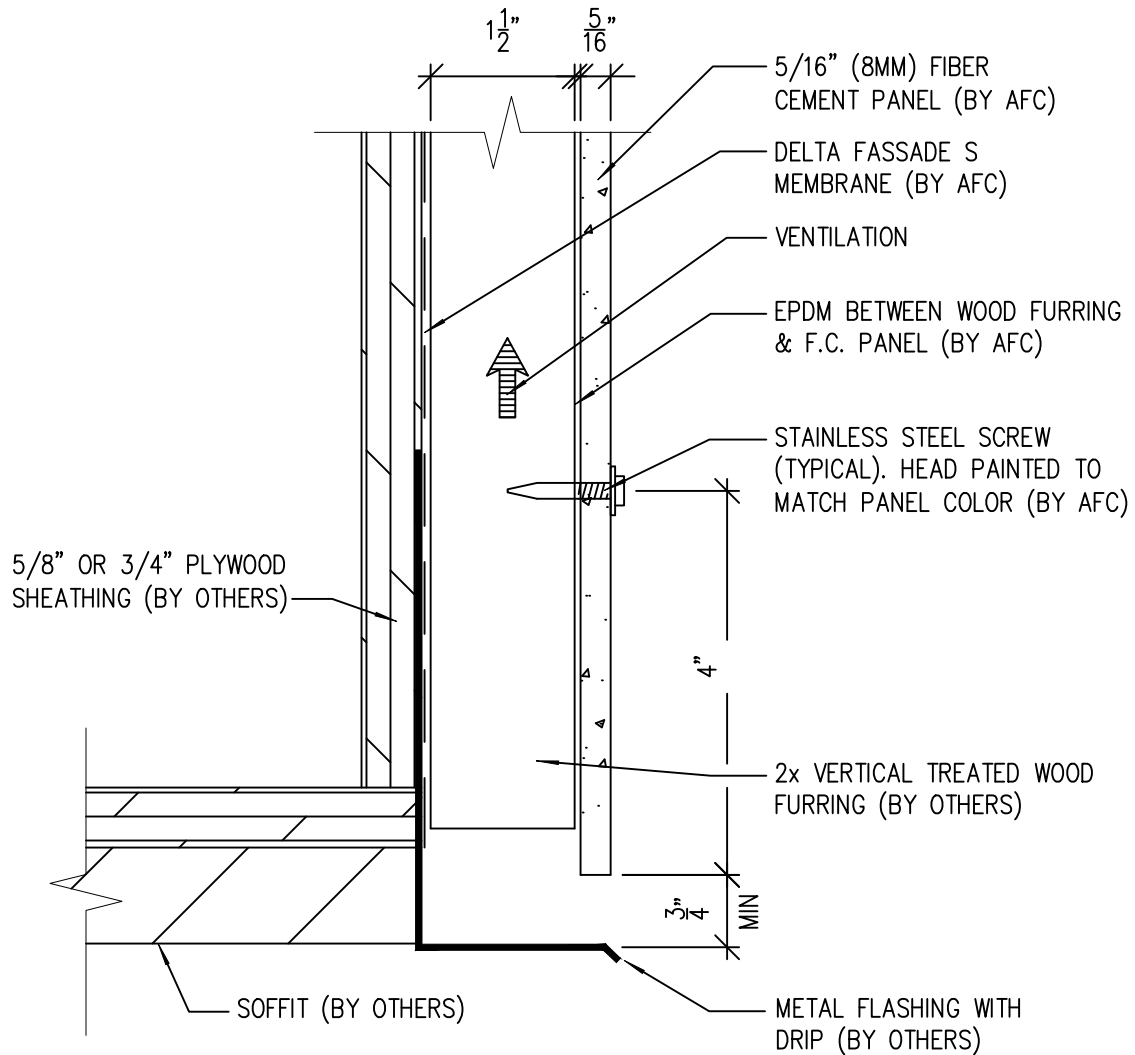


(303) 972-5107  
 6901 S Pierce St #180  
 Littleton, CO 80128  
[www.americanfibercement.com](http://www.americanfibercement.com)

Ref.: Bottom of Panel @  
 Soffit

Date: 06/07/2023

# One Layer Wood Attachment System- Screws



SCALE : 1 1/2" = 1'-0"

**NOTES:**

1. PANEL VERTICAL AND HORIZONTAL JOINT SPACING SHOULD BE 3/8" TYPICAL.



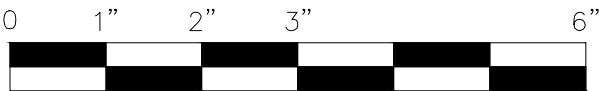
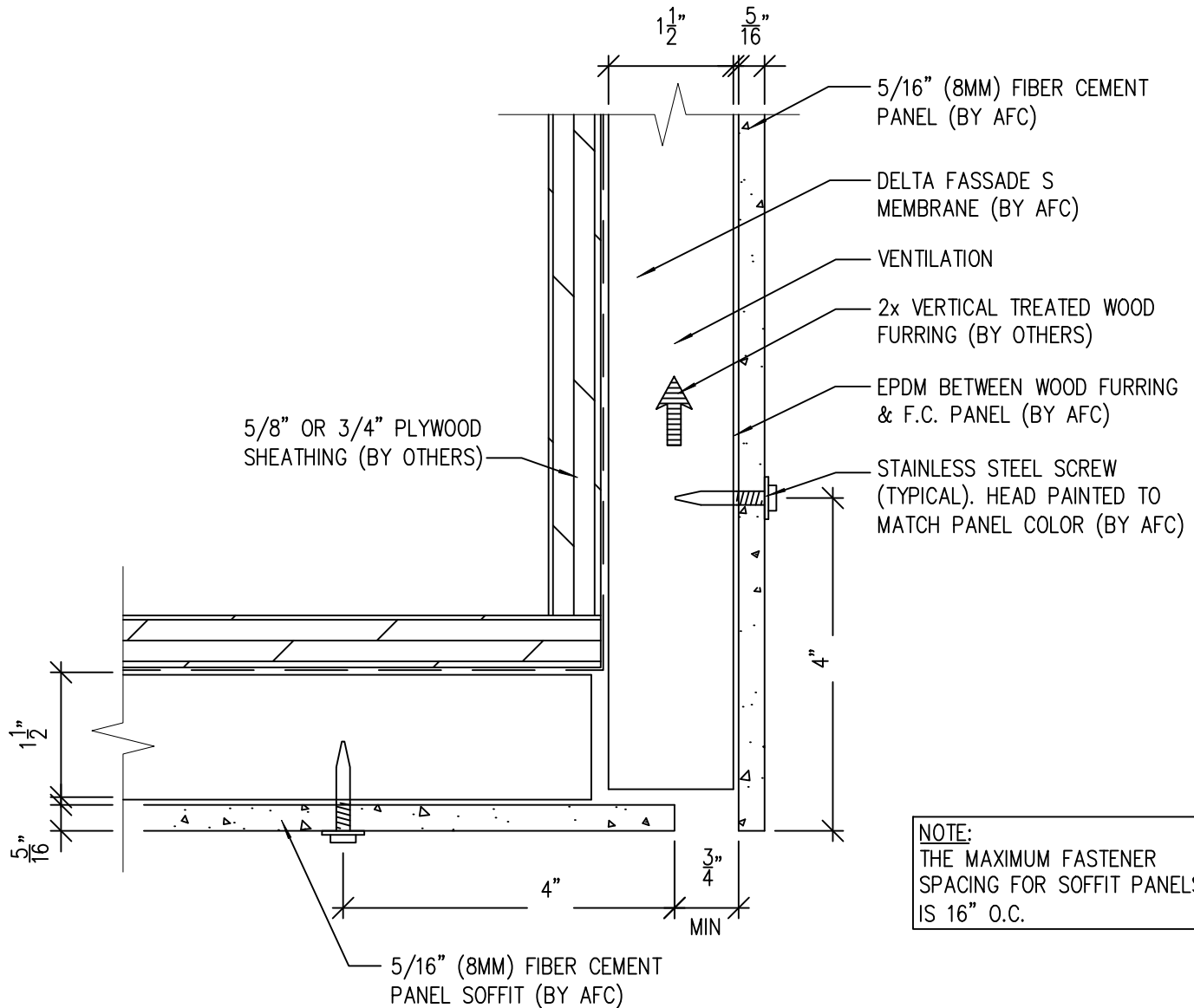
(303) 972-5107  
 6901 S Pierce St #180  
 Littleton, CO 80128

[www.americanfiber cement.com](http://www.americanfiber cement.com)

Ref.: Bottom of Panel @  
 Soffit (Alternate)

Date: 06/07/2023

# One Layer Wood Attachment System- Screws



SCALE : 1 1/2" = 1'-0"

**NOTES:**

1. PANEL VERTICAL AND HORIZONTAL JOINT SPACING SHOULD BE 3/8" TYPICAL.

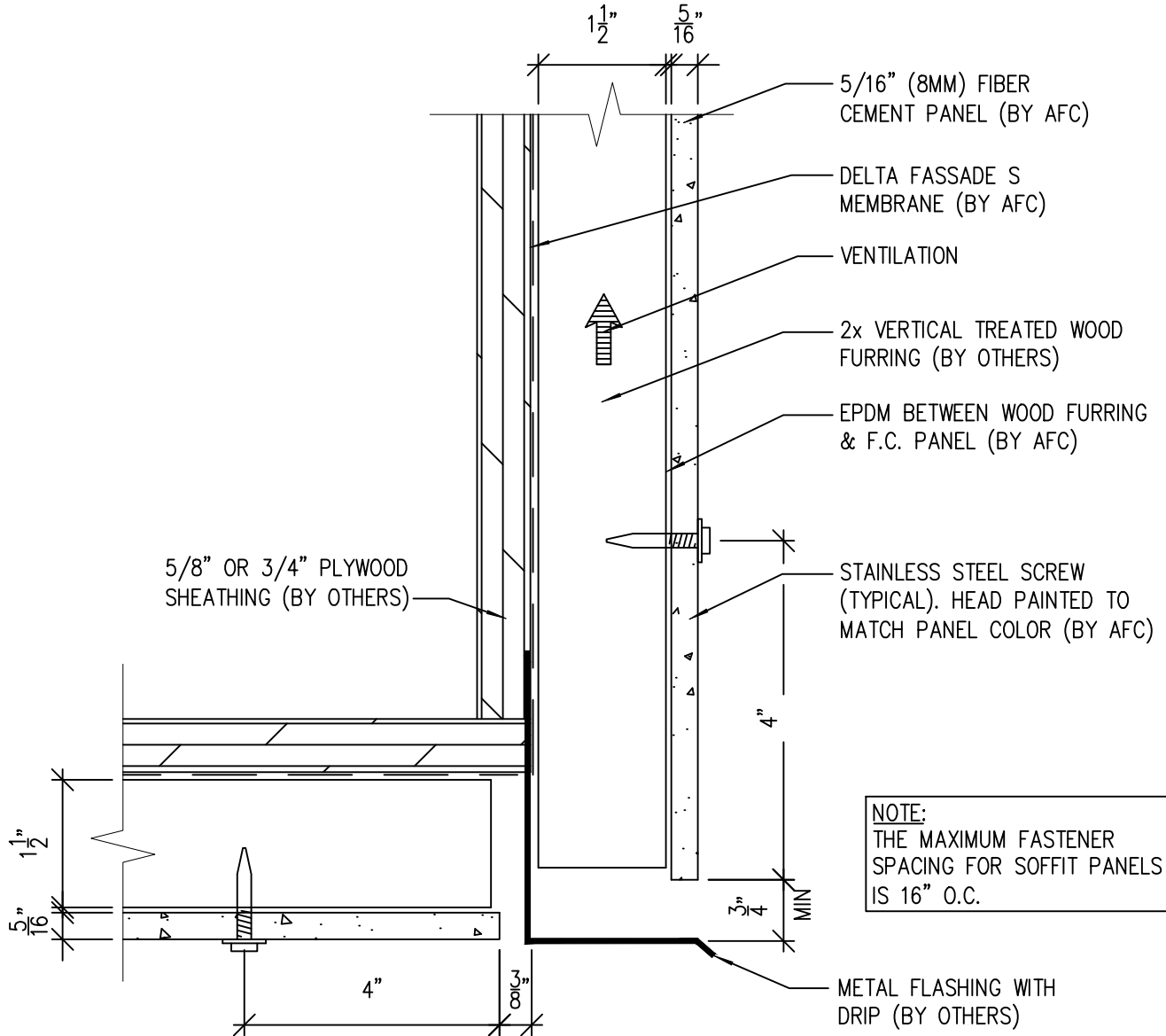


(303) 972-5107  
 6901 S Pierce St #180  
 Littleton, CO 80128  
[www.americanfibercement.com](http://www.americanfibercement.com)

Ref.: Bottom of Panel @  
 F.C.P. Soffit

Date: 06/07/2023

# One Layer Wood Attachment System- Screws



SCALE : 1 1/2" = 1'-0"

**NOTES:**

1. PANEL VERTICAL AND HORIZONTAL JOINT SPACING SHOULD BE 3/8" TYPICAL.

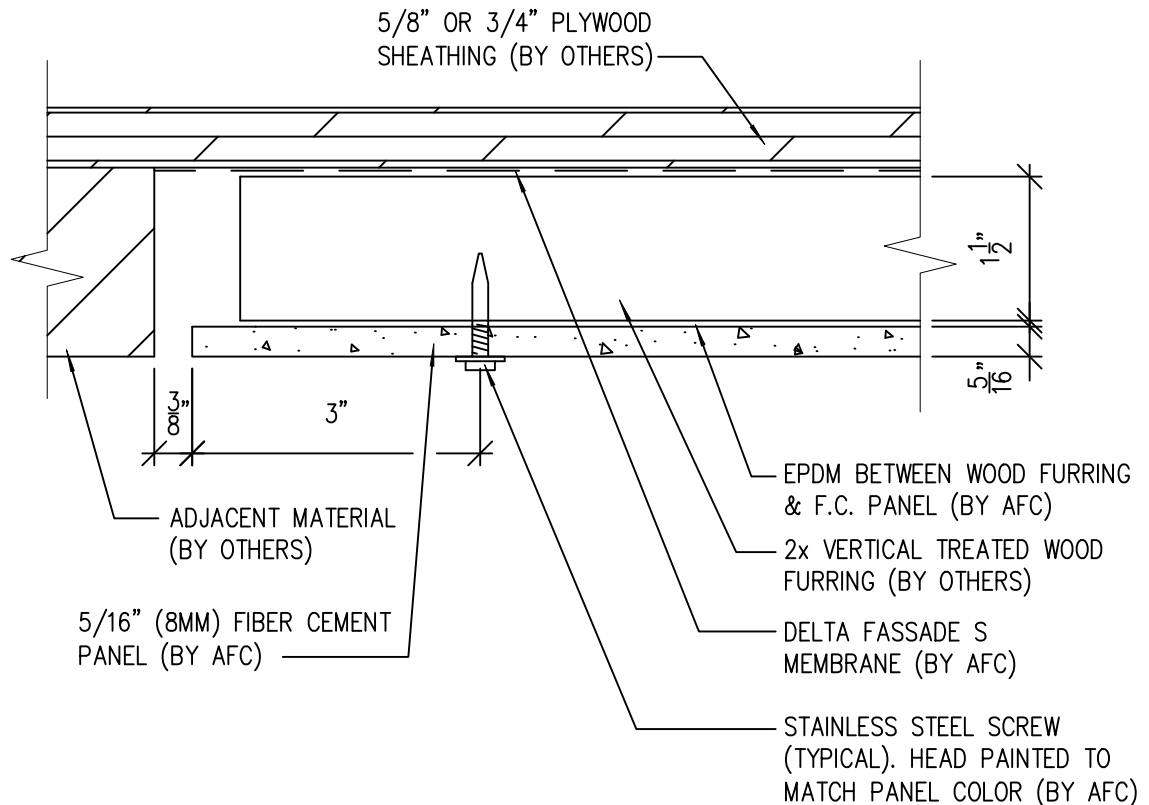


(303) 972-5107  
 6901 S Pierce St #180  
 Littleton, CO 80128  
[www.americanfiber cement.com](http://www.americanfiber cement.com)

Ref.: Bottom of Panel @  
 F.C.P. Soffit (Alternate)

Date: 06/07/2023

# One Layer Wood Attachment System- Screws



SCALE : 1 1/2" = 1'-0"

**NOTES:**

1. PANEL VERTICAL AND HORIZONTAL JOINT SPACING SHOULD BE 3/8" TYPICAL.



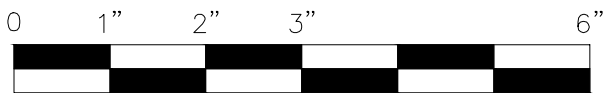
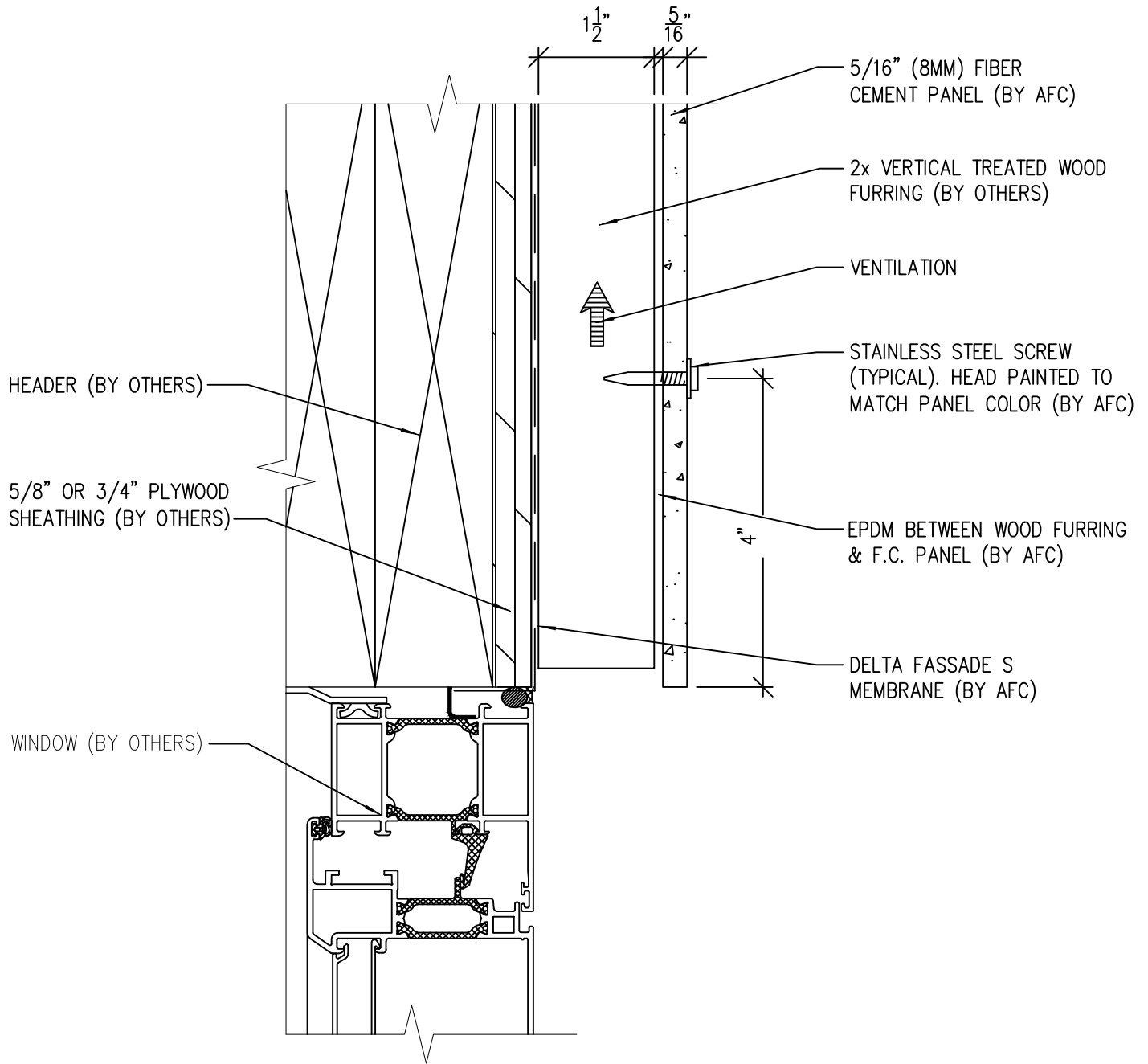
(303) 972-5107  
 6901 S Pierce St #180  
 Littleton, CO 80128  
[www.americanfibercement.com](http://www.americanfibercement.com)

Ref.: Soffit Termination @  
 Adjacent Material

Date: 06/07/2023



# One Layer Wood Attachment System- Screws



SCALE : 1.5" = 1'-0"

**NOTES:**

1. PANEL VERTICAL AND HORIZONTAL JOINT SPACING SHOULD BE 3/8" TYPICAL.

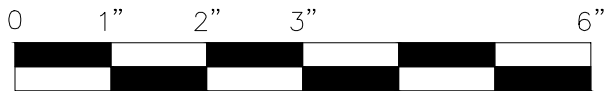
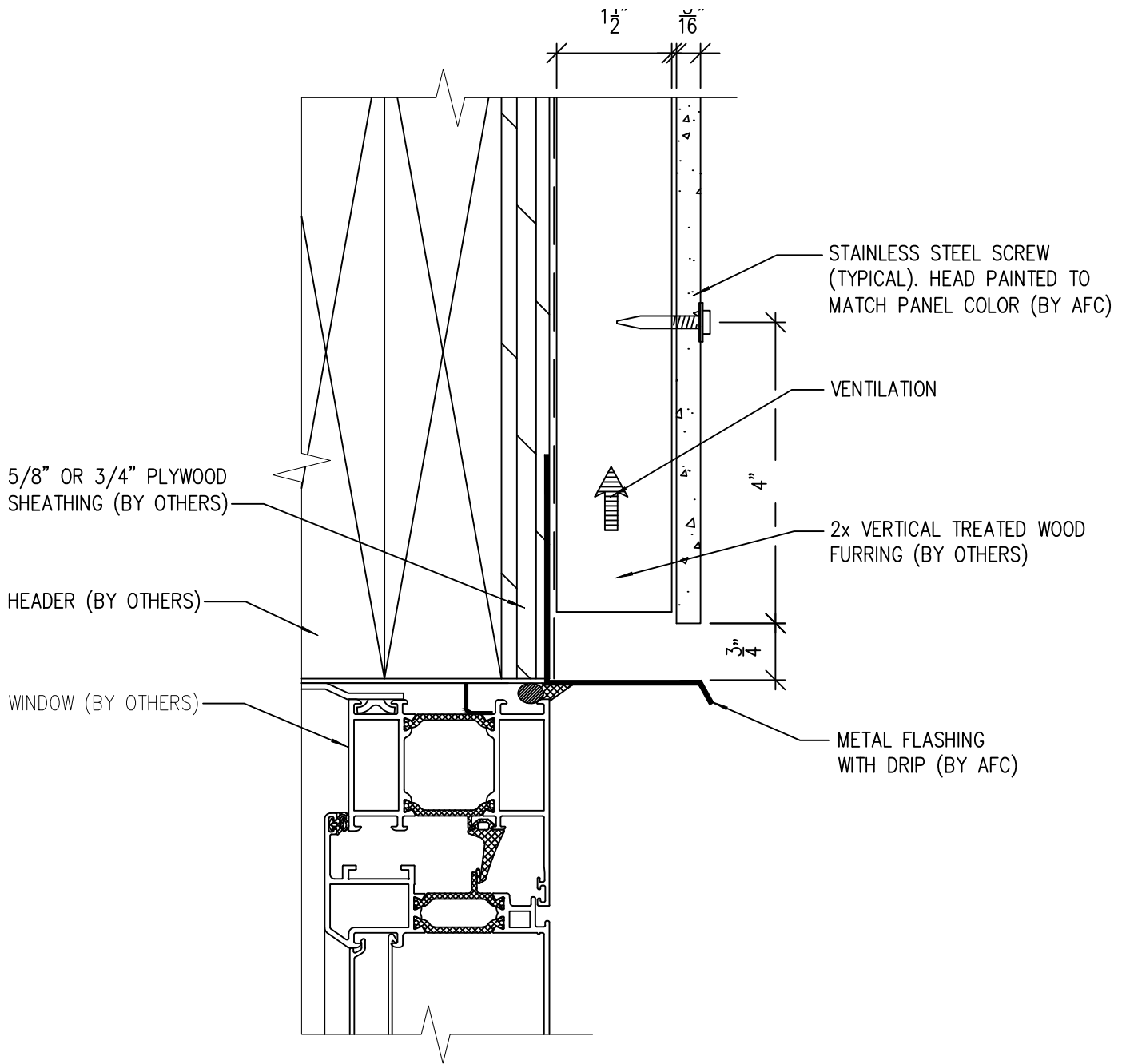


(303) 972-5107  
 6901 S Pierce St #180  
 Littleton, CO 80128  
[www.americanfibercement.com](http://www.americanfibercement.com)

Ref.: Bottom of Panel @  
 Window Head

Date: 06/07/2023

# One Layer Wood Attachment System- Screws



SCALE : 1 1/2" = 1" - 0"

**NOTES:**

1. PANEL VERTICAL AND HORIZONTAL JOINT SPACING SHOULD BE 3/8" TYPICAL.

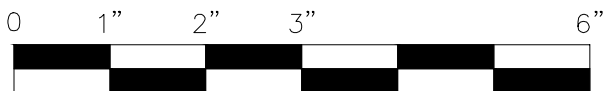
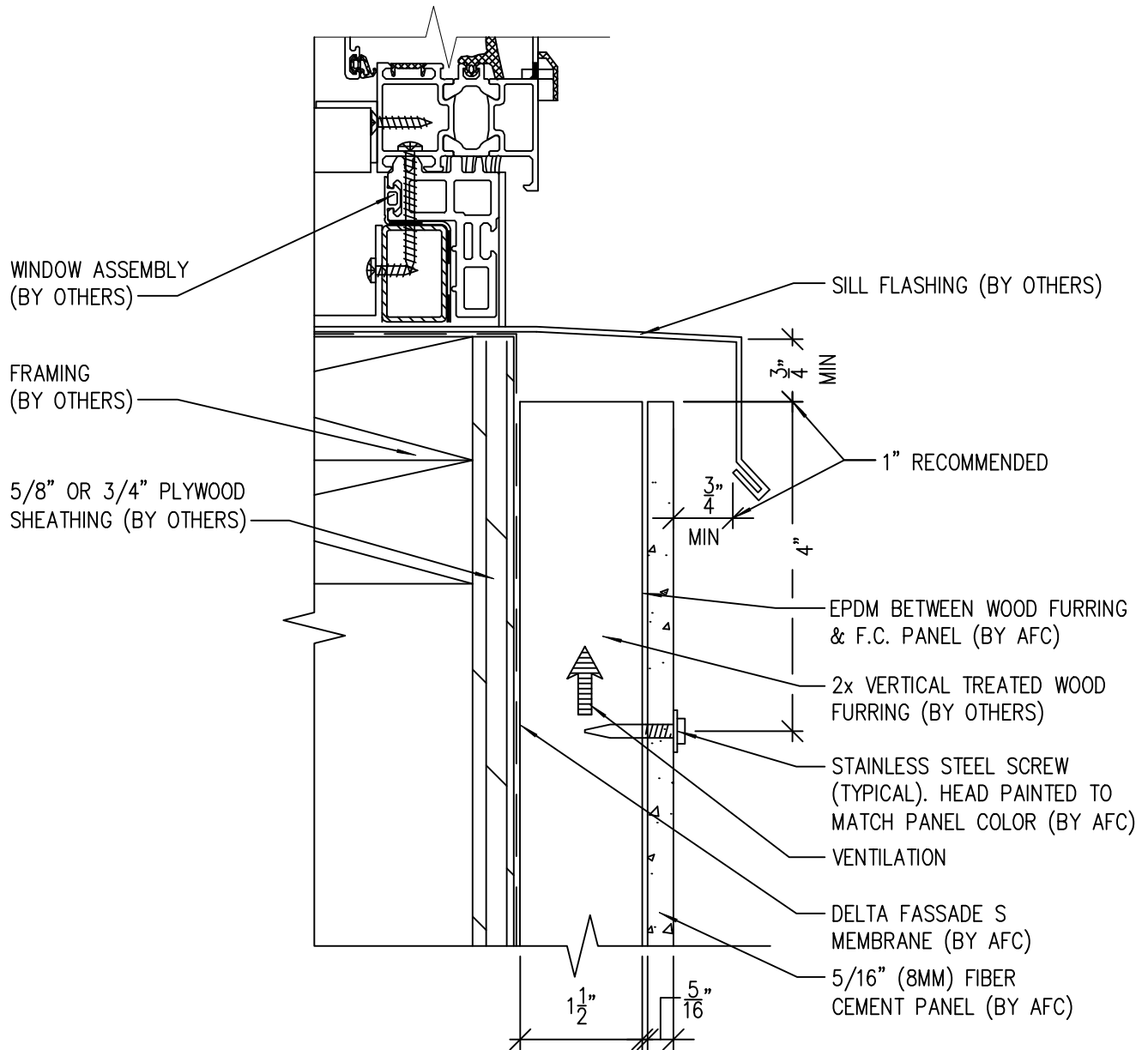


(303) 972-5107  
 6901 S Pierce St #180  
 Littleton, CO 80128  
[www.americanfiberceement.com](http://www.americanfiberceement.com)

Ref.: Bottom of Panel @  
 Window Head (Alternate)

Date: 06/07/2023

# One Layer Wood Attachment System- Screws



SCALE : 1 1/2" = 1'-0"

**NOTES:**

1. PANEL VERTICAL AND HORIZONTAL JOINT SPACING SHOULD BE 3/8" TYPICAL.



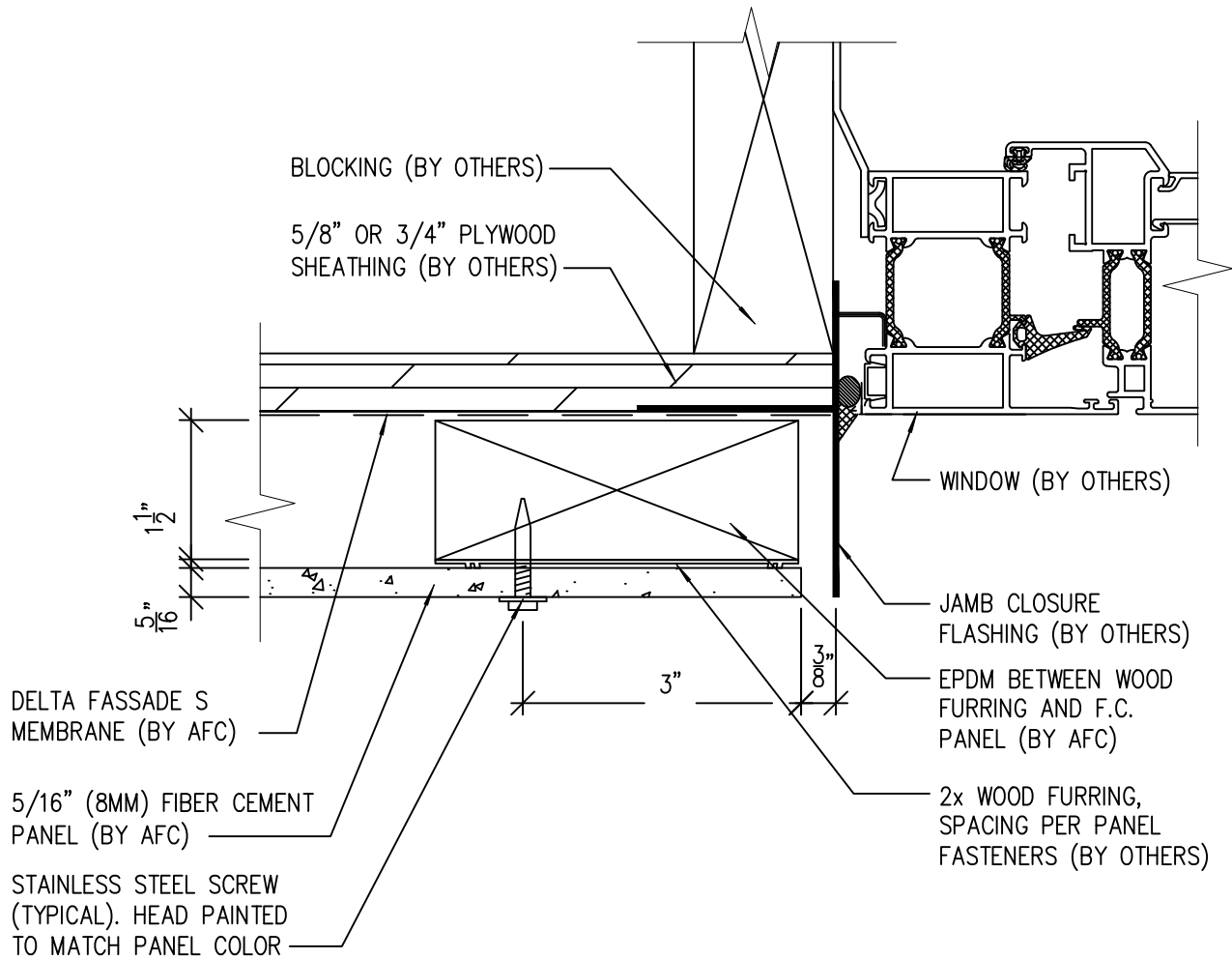
(303) 972-5107  
6901 S Pierce St #180  
Littleton, CO 80128

[www.americanfibercement.com](http://www.americanfibercement.com)

Ref.: Top of Panel @  
Window Sill

Date: 06/07/2023

# One Layer Wood Attachment System- Screws



SCALE : 1 1/2" = 1" - 0"

**NOTES:**

1. PANEL VERTICAL AND HORIZONTAL JOINT SPACING SHOULD BE 3/8" TYPICAL.



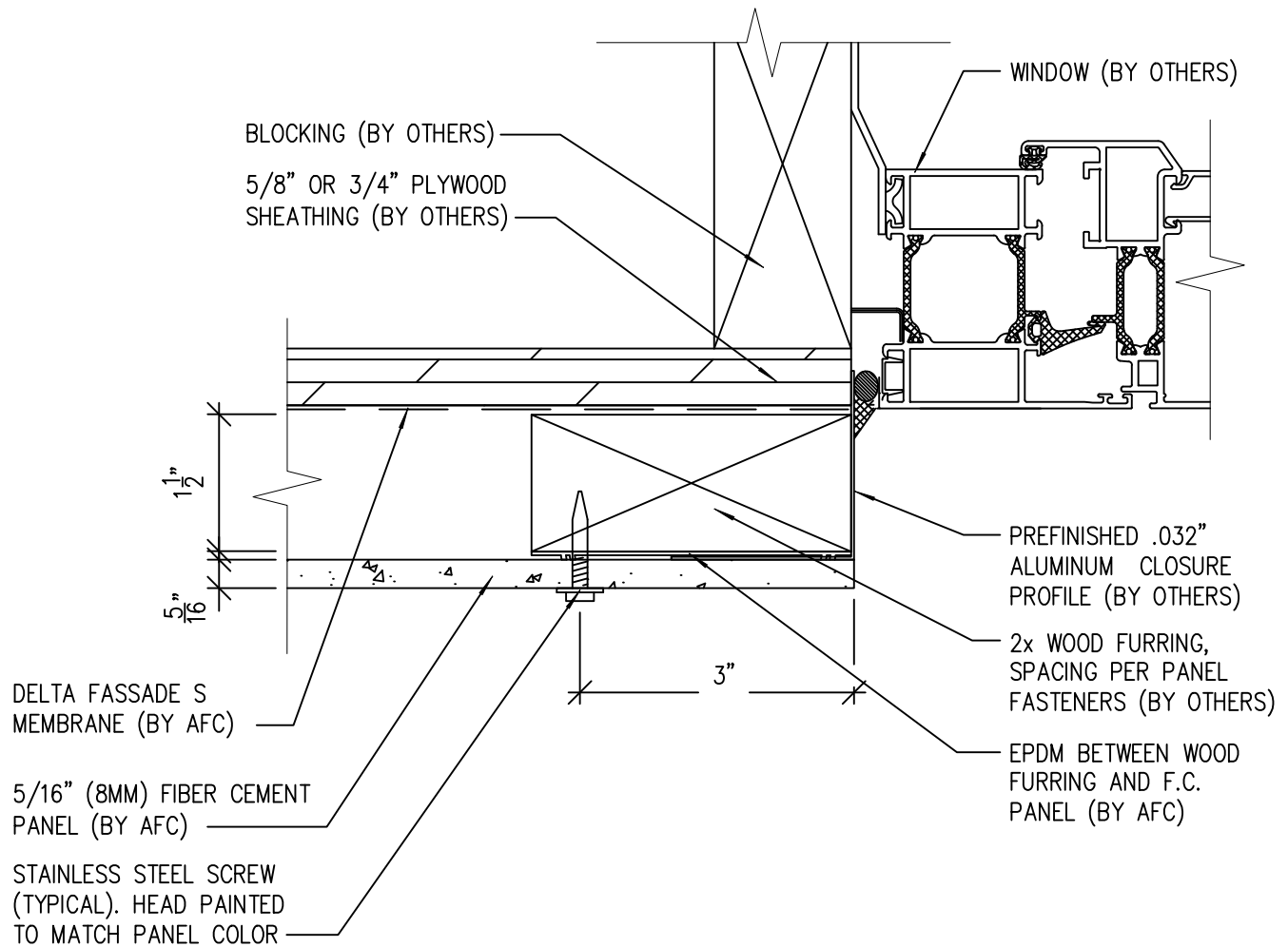
(303) 972-5107  
6901 S Pierce St #180  
Littleton, CO 80128

[www.americanfiber cement.com](http://www.americanfiber cement.com)

Ref.: Panel Edge @  
Window Jamb

Date: 06/07/2023

# One Layer Wood Attachment System- Screws



SCALE : 1 1/2" = 1'-0"

**NOTES:**

1. PANEL VERTICAL AND HORIZONTAL JOINT SPACING SHOULD BE 3/8" TYPICAL.



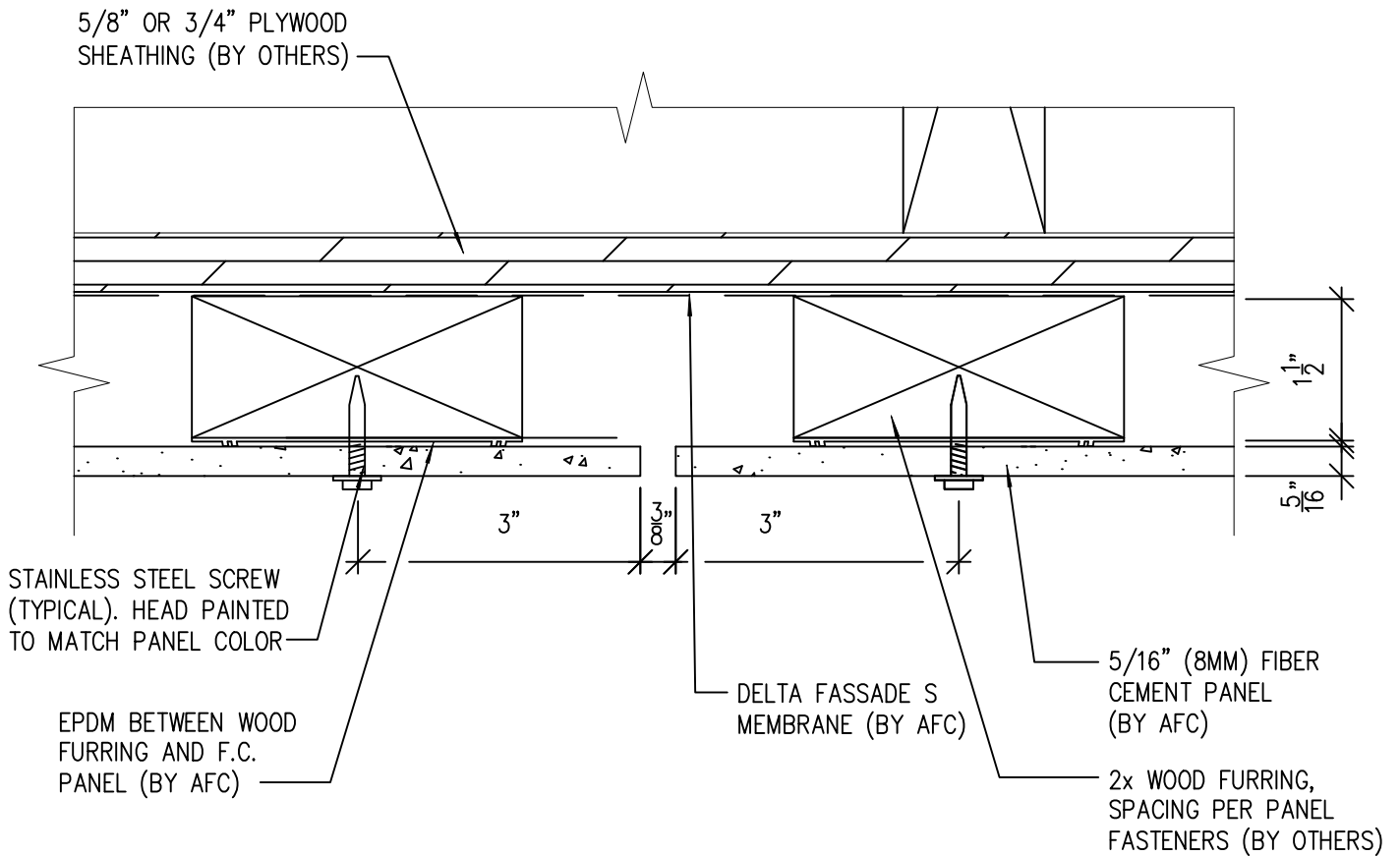
(303) 972-5107  
 6901 S Pierce St #180  
 Littleton, CO 80128

[www.americanfiber cement.com](http://www.americanfiber cement.com)

Ref.: Panel Edge @  
 Window Jamb (Alternate

Date: 06/07/2023

# One Layer Wood Attachment System- Screws



SCALE : 1 1/2" = 1'-0"

**NOTES:**

1. PANEL VERTICAL AND HORIZONTAL JOINT SPACING SHOULD BE 3/8" TYPICAL.

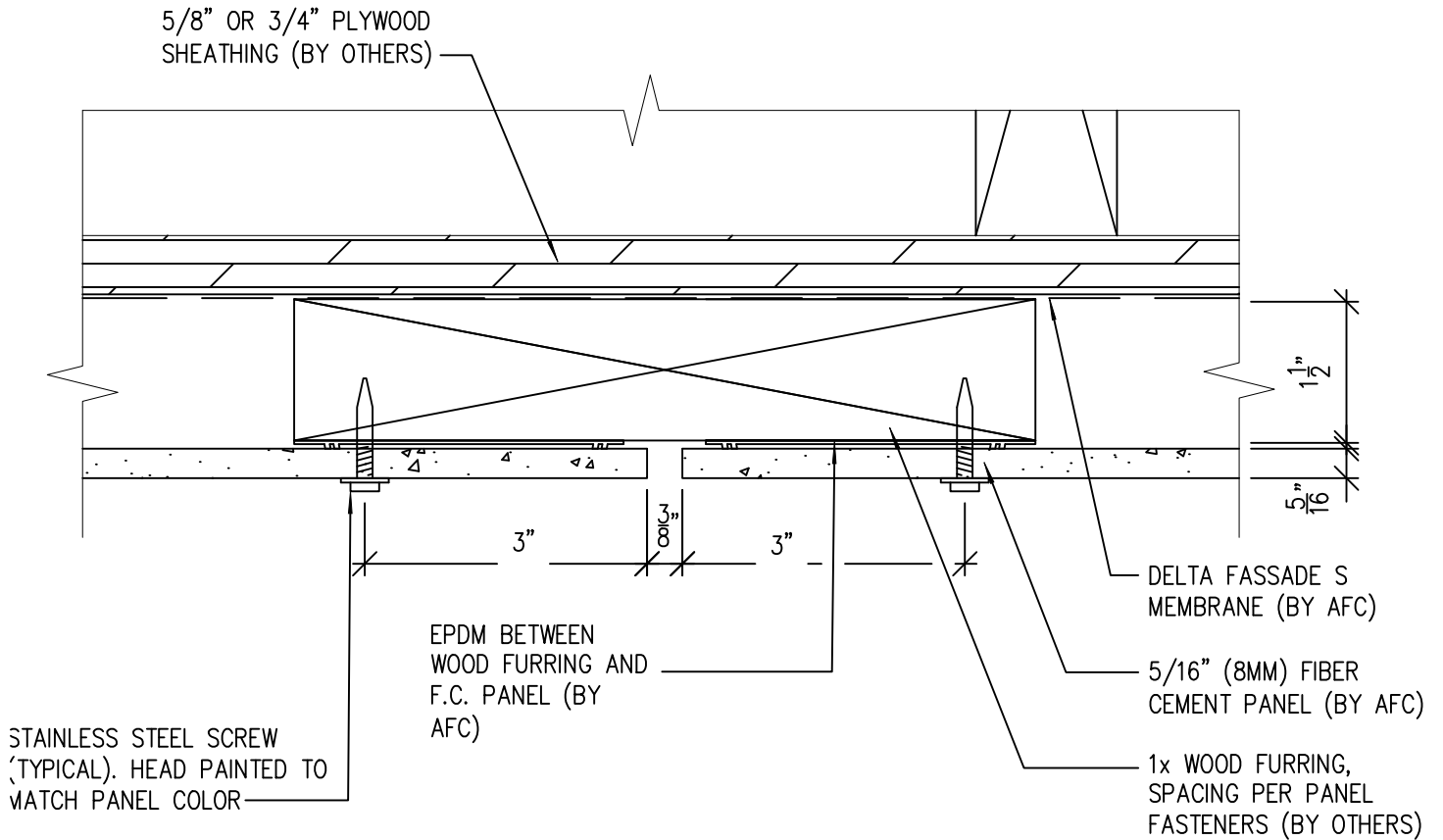


(303) 972-5107  
 6901 S Pierce St #180  
 Littleton, CO 80128  
[www.americanfiber cement.com](http://www.americanfiber cement.com)

Ref.: Vertical Panel Joint  
 Option 1

Date: 06/07/2023

# One Layer Wood Attachment System- Screws



SCALE : 1 1/2" = 1'-0"

**NOTES:**

1. PANEL VERTICAL AND HORIZONTAL JOINT SPACING SHOULD BE 3/8" TYPICAL.

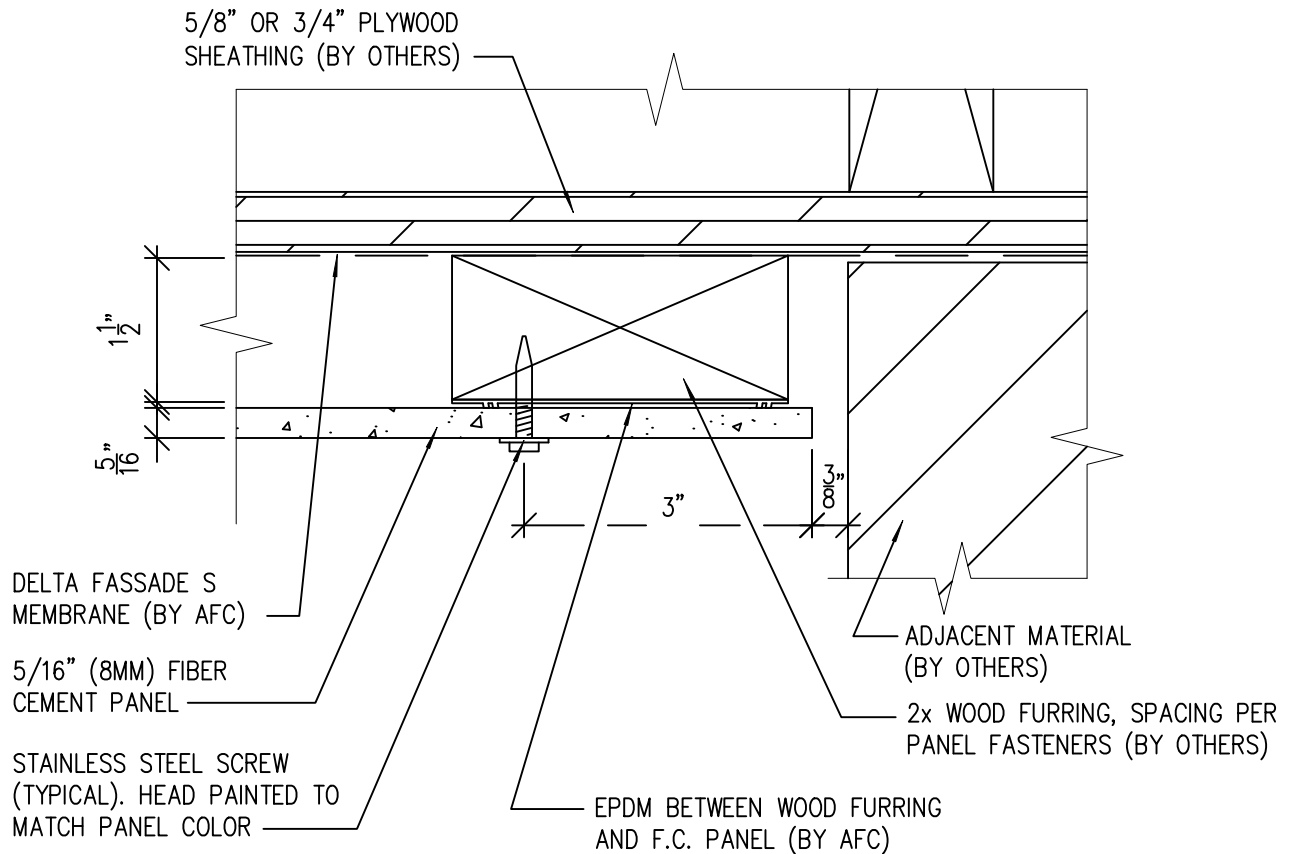


(303) 972-5107  
 6901 S Pierce St #180  
 Littleton, CO 80128  
[www.americanfiber cement.com](http://www.americanfiber cement.com)

Ref.: Vertical Panel Joint  
 Option 1

Date: 06/07/2023

# One Layer Wood Attachment System- Screws



SCALE : 1 1/2" = 1'-0"

**NOTES:**

1. PANEL VERTICAL AND HORIZONTAL JOINT SPACING SHOULD BE 3/8" TYPICAL.



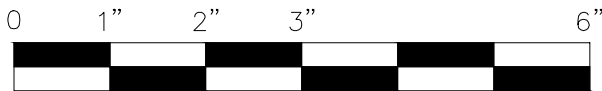
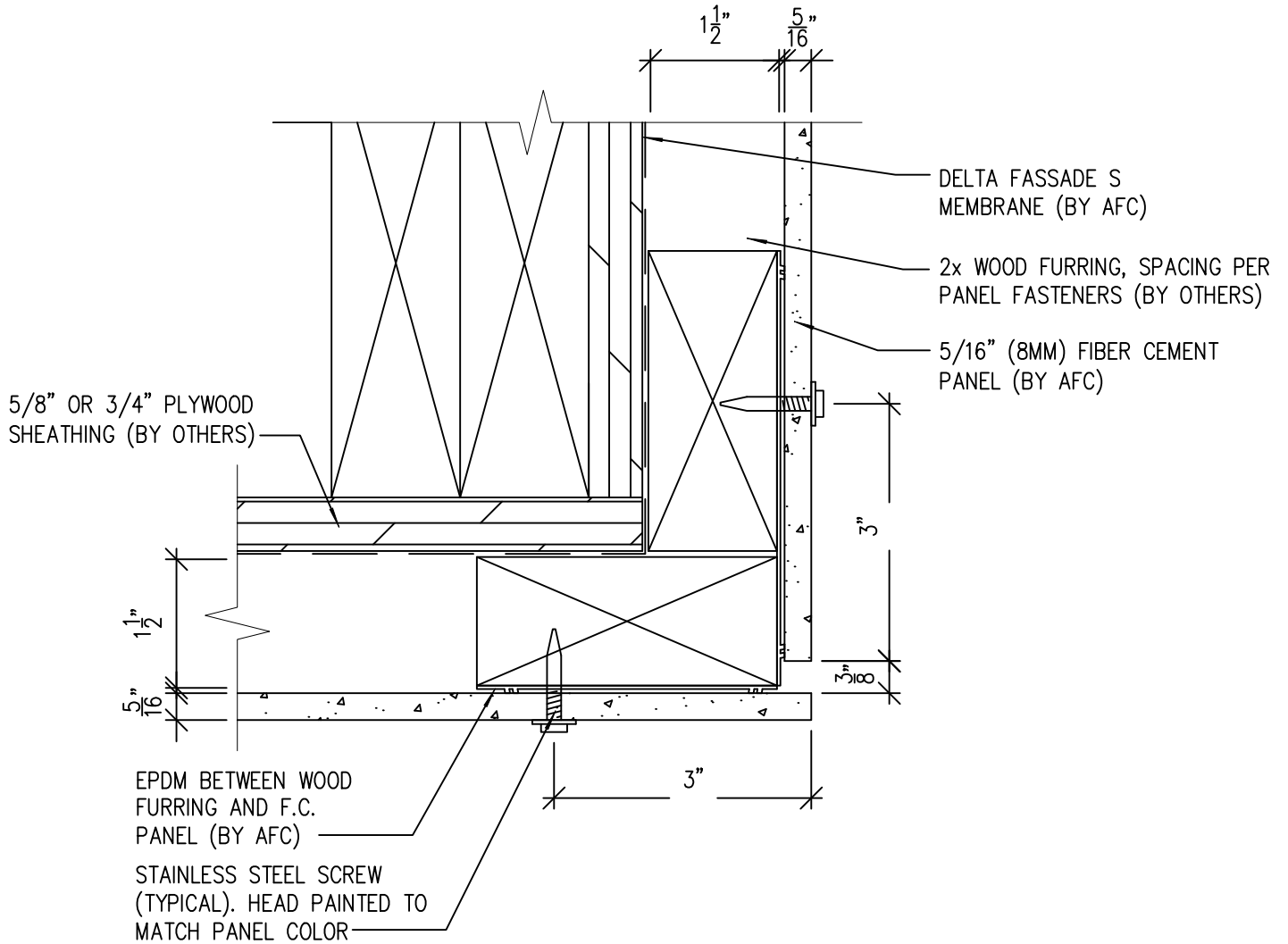
(303) 972-5107  
 6901 S Pierce St #180  
 Littleton, CO 80128  
[www.americanfibercement.com](http://www.americanfibercement.com)

Ref.: Panel Edge @  
 Butt Joint

Date: 06/07/2023



# One Layer Wood Attachment System- Screws



SCALE : 1 1/2" = 1'-0"

**NOTES:**

1. PANEL VERTICAL AND HORIZONTAL JOINT SPACING SHOULD BE 3/8" TYPICAL.

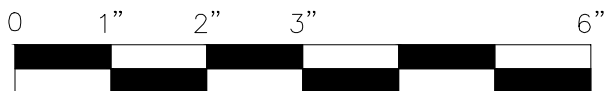
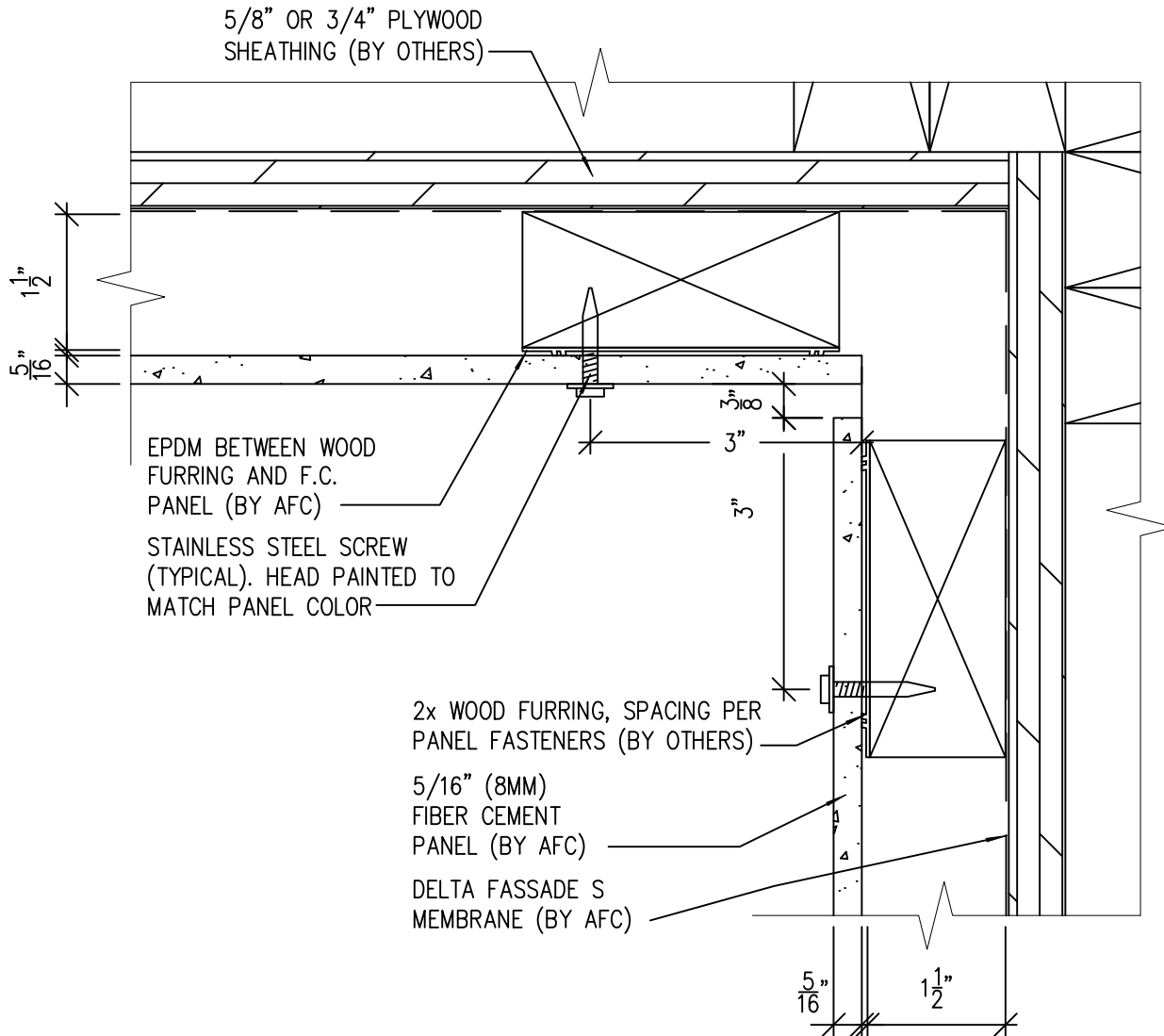


(303) 972-5107  
 6901 S Pierce St #180  
 Littleton, CO 80128  
[www.americanfiber cement.com](http://www.americanfiber cement.com)

Ref.: Panels @  
 Outside Corner

Date: 06/07/2023

# One Layer Wood Attachment System- Screws



SCALE :1.2"=1'-0"

**NOTES:**

1. PANEL VERTICAL AND HORIZONTAL JOINT SPACING SHOULD BE 3/8" TYPICAL.

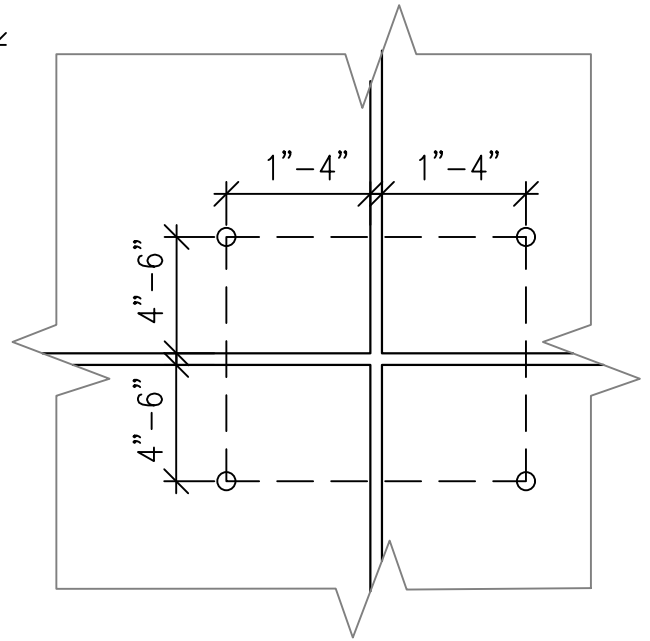
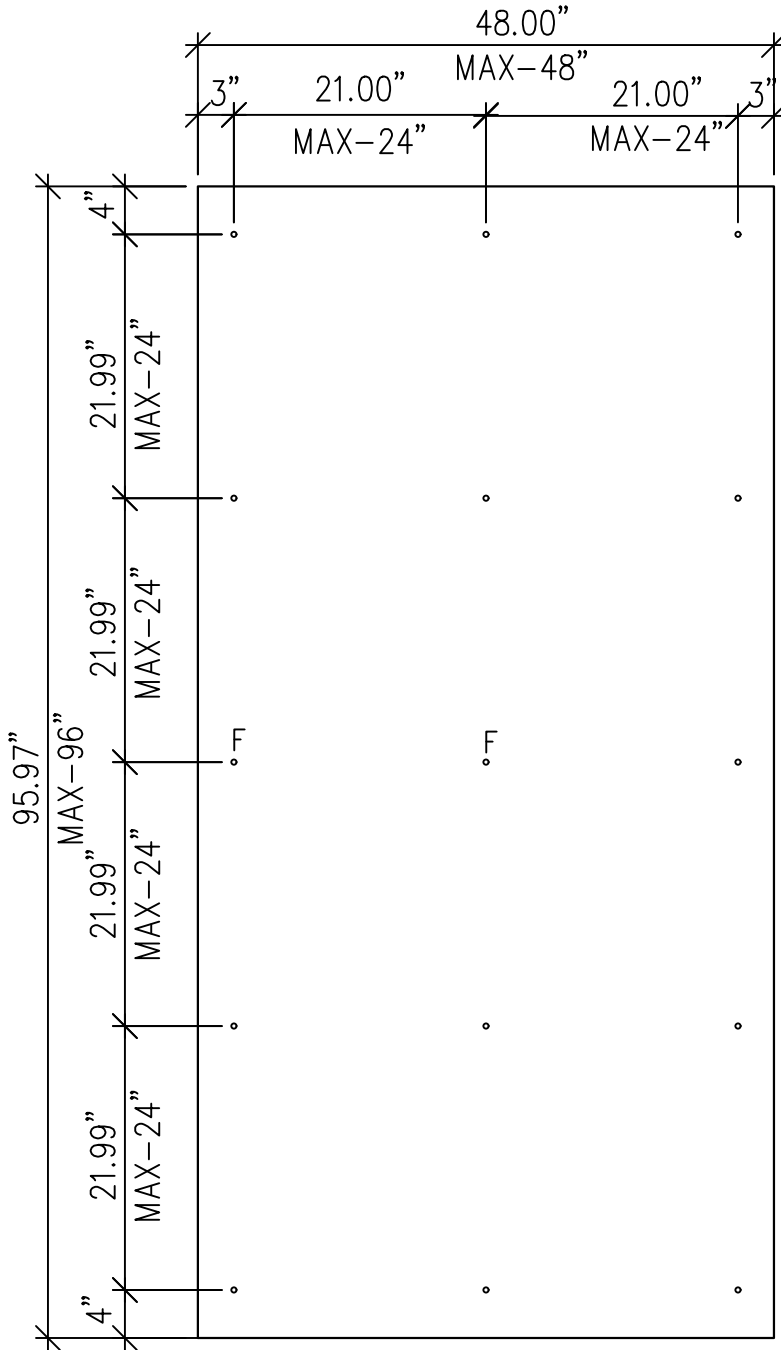


(303) 972-5107  
 6901 S Pierce St #180  
 Littleton, CO 80128  
[www.americanfibercement.com](http://www.americanfibercement.com)

Ref.: Panels @  
 Inside Corner

Date: 06/07/2023

# Typical Wood Attachment System



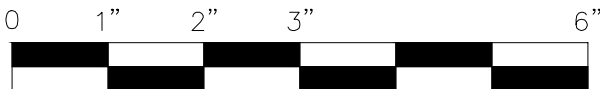
Typical Edge Fasteners  
Scale 3"=1'

**DRILLING KEY :**

Wood -Fixed Points 5.00 mm (Drill Bit Sourced from AFCC), Gliding Points 8mm (Drill Bit Sourced from AFCC)

**NOTES:**

1. PANEL VERTICAL AND HORIZONTAL JOINT SPACING SHOULD BE 3/8" TYPICAL.
2. FOR VERTICAL PANEL RUNS OF 20FT OR LESS, 1x2 OR 1x4 (3/4" DEPTH) VERTICAL FURRING MAY BE USED INSTEAD OF STANDARD 2x2 OR 2x4 (1 1/2" DEPTH).



SCALE 3/4"=1'-0"



(303) 972-5107  
6901 S Pierce St #180  
Littleton, CO 80128

[www.americanfibercement.com](http://www.americanfibercement.com)

Ref.:  
Typical Fastner layout

Date: 06/07/2023