

XKELEX XZ19PF Aluminum Attachment System with Rivets



AMERICAN
FIBER CEMENT



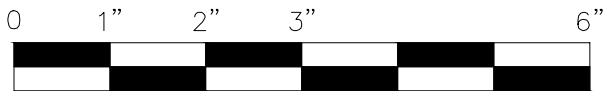
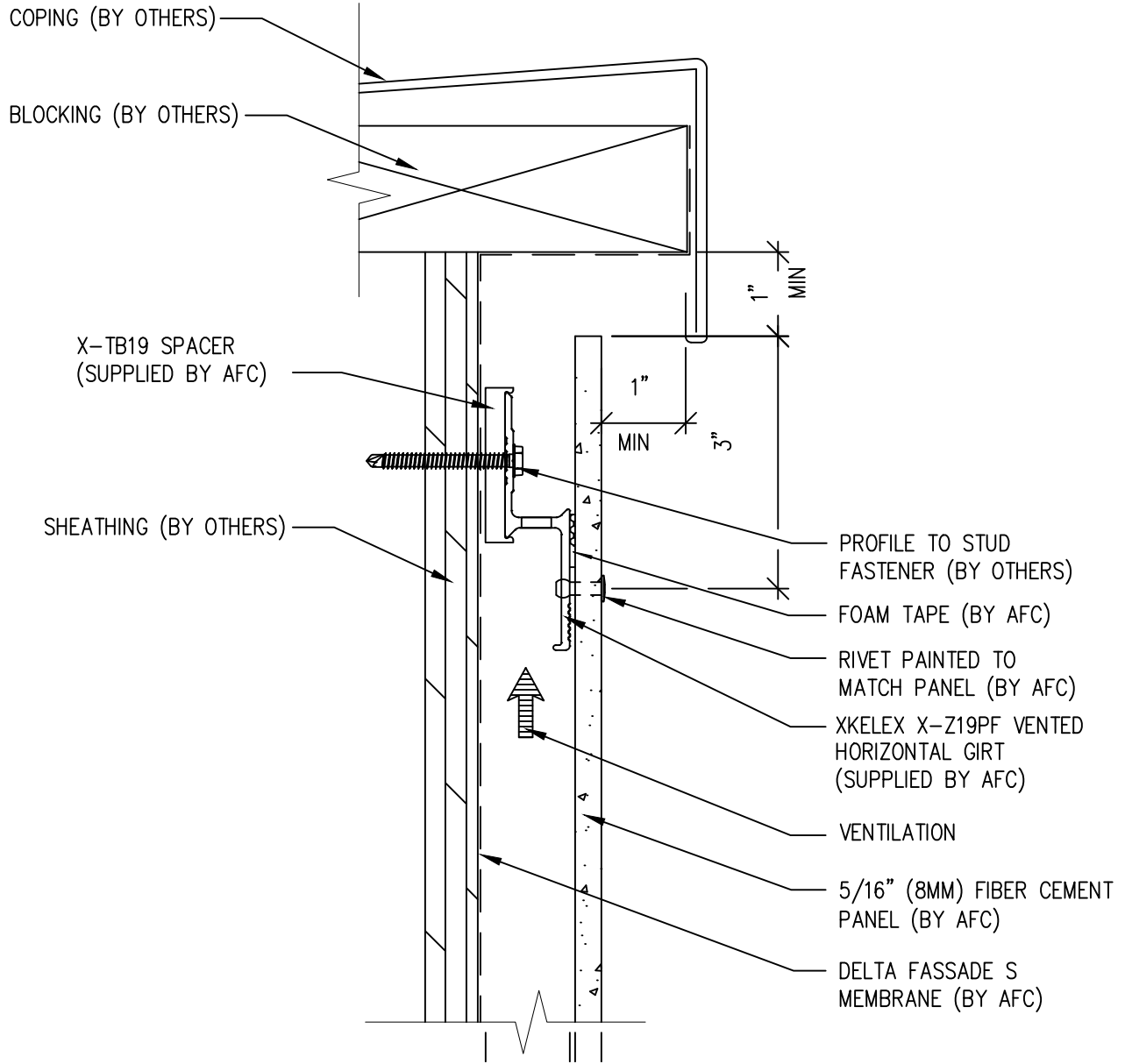
Fiber Cement Ventilated Rainscreen System



Typical Details

- Page 3: Top Panel @ Coping
- Page 4: Top Panel @ Soffit
- Page 5: Top of Panel @ F.C.P Soffit
- Page 6: Horizontal Panel Joint
- Page 7: Horizontal of Panel @ Wall Base
- Page 8: Bottom of Panel @ Open Termination
- Page 9: Bottom of Panel @ Low Roof Flashing
- Page 10: Bottom of Panel @ Soffit
- Page 11: Bottom of Panel @ Soffit (Alternate)
- Page 12: Bottom of Panel @ F.C.P Soffit
- Page 13: Bottom of Panel @ F.C.P Soffit (Alternate)
- Page 14: Soffit Termination @ Adjacent Material
- Page 15: Bottom of Panel @ Window Head
- Page 16: Bottom of Panel @ Window Head (Alternate)
- Page 17: Top of Panel @ Window Sill
- Page 18: Panel Edge @ Window Jamb
- Page 19: Panel Edge @ Window Jamb (Alternate)
- Page 20: Vertical Joint @ Continuous Substrate
- Page 21: Vertical Joint @ Break in Substrate
- Page 22: Not Permitted @ Break in Substrate
- Page 23: Panel Edge @ Butt Joint
- Page 24: Panels @ Outside Corner
- Page 25: Panels @ Inside Corner
- Page 26: Typical Fastener Layout

One-Layer Aluminum Attachment System XKELEX X-Z19PF Girt



SCALE: 6"=1'-0"

NOTES:

1. PANEL VERTICAL AND HORIZONTAL JOINT SPACING SHOULD BE 3/8" TYPICAL.



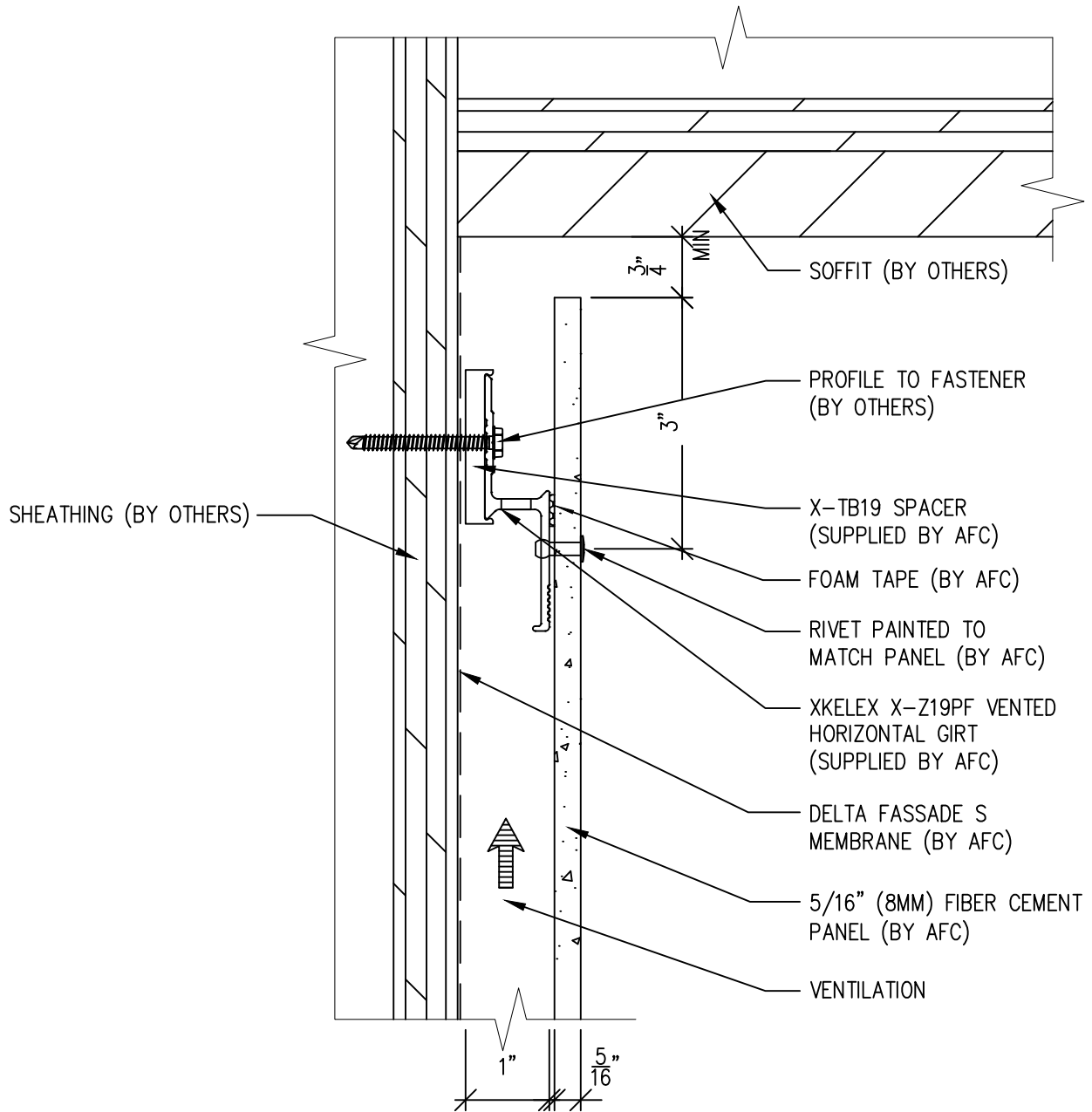
(303) 972-5107
6901 S Pierce St #180
Littleton, CO 80128

www.americanfibercement.com

Ref.:
Top of Panel @
Coping

Date: 06/07/2023

One-Layer Aluminum Attachment System XKELEX X-Z19PF Girt



SCALE: 6"=1'-0"

NOTES:

1. PANEL VERTICAL AND HORIZONTAL JOINT SPACING SHOULD BE 3/8" TYPICAL.

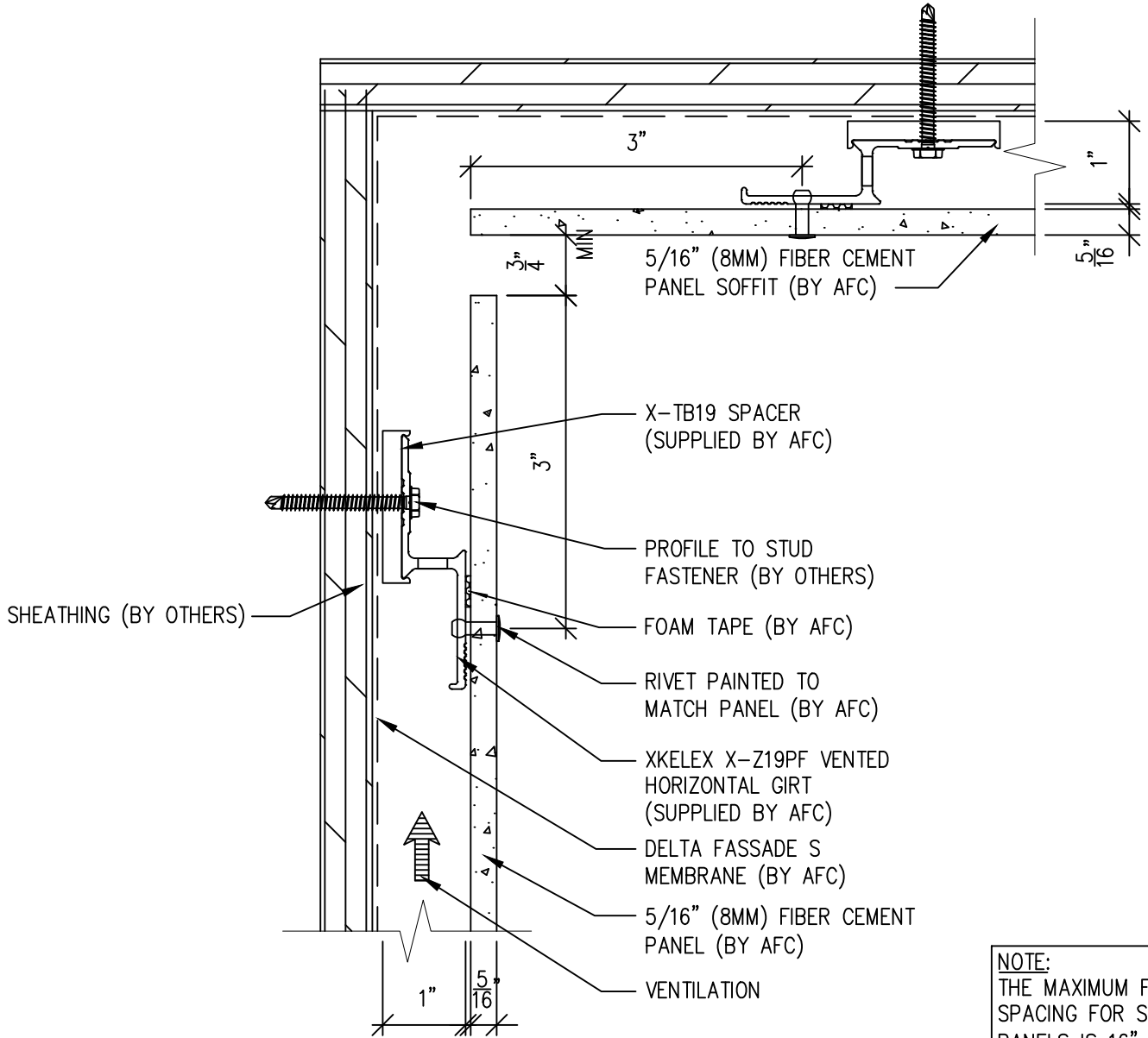


(303) 972-5107
6901 S Pierce St #180
Littleton, CO 80128
www.americanfiber cement.com

Ref.:
Top of Panel @
Soffit

Date: 06/07/2023

One-Layer Aluminum Attachment System XKELEX X-Z19PF Girt



NOTE:
THE MAXIMUM FASTENER
SPACING FOR SOFFIT
PANELS IS 16" O.C.



SCALE: 6"=1'-0"

NOTES:

1. PANEL VERTICAL AND HORIZONTAL JOINT SPACING SHOULD BE 3/8" TYPICAL.



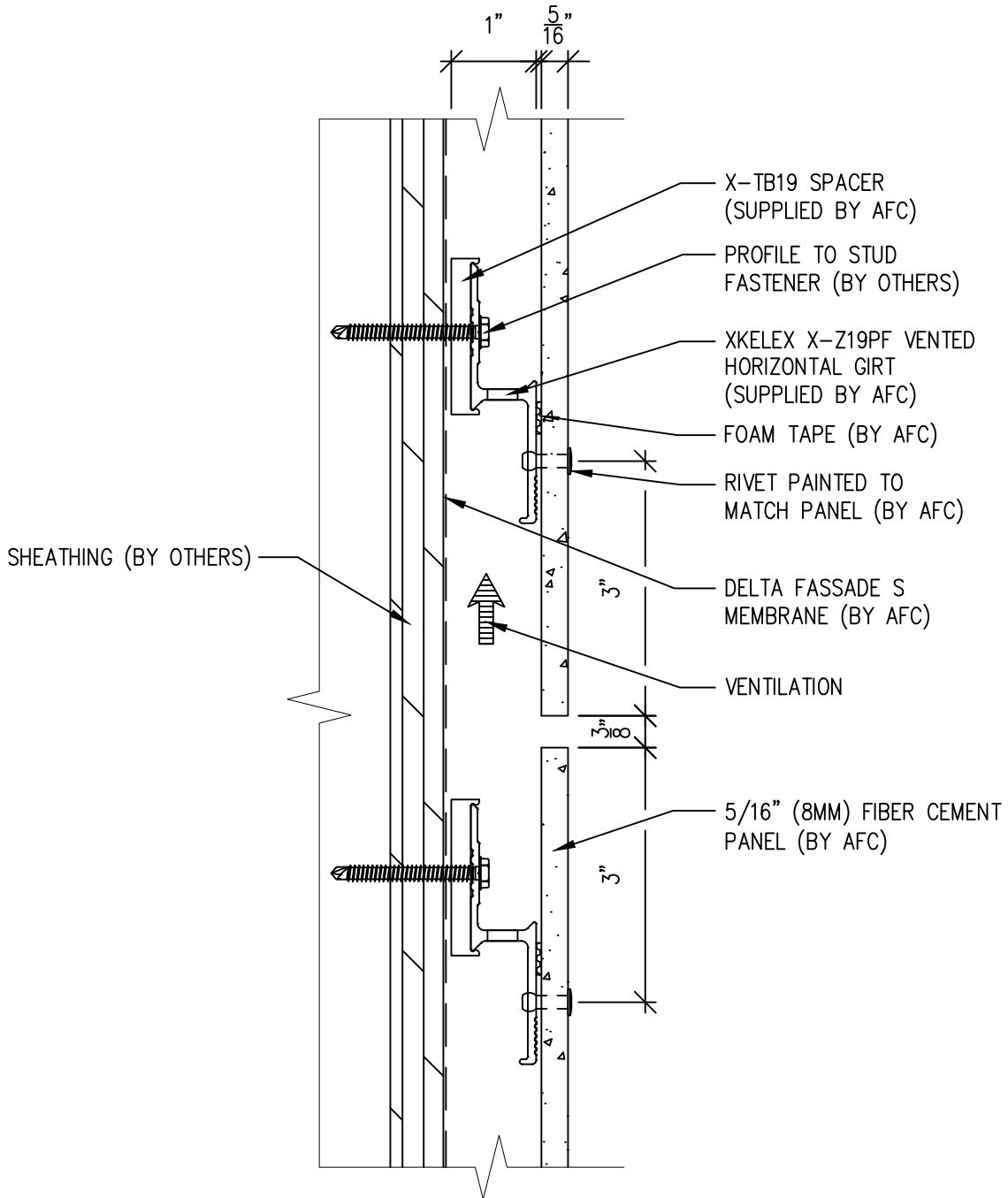
(303) 972-5107
6901 S Pierce St #180
Littleton, CO 80128

www.americanfiber cement.com

Ref.:
Top of Panel @
F.C.P. Soffit

Date: 06/07/2023

One-Layer Aluminum Attachment System XKELEX X-Z19PF Girt



NOTES:

1. PANEL VERTICAL AND HORIZONTAL JOINT SPACING SHOULD BE 3/8" TYPICAL.



SCALE: 6"=1'-0"

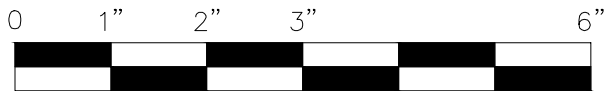
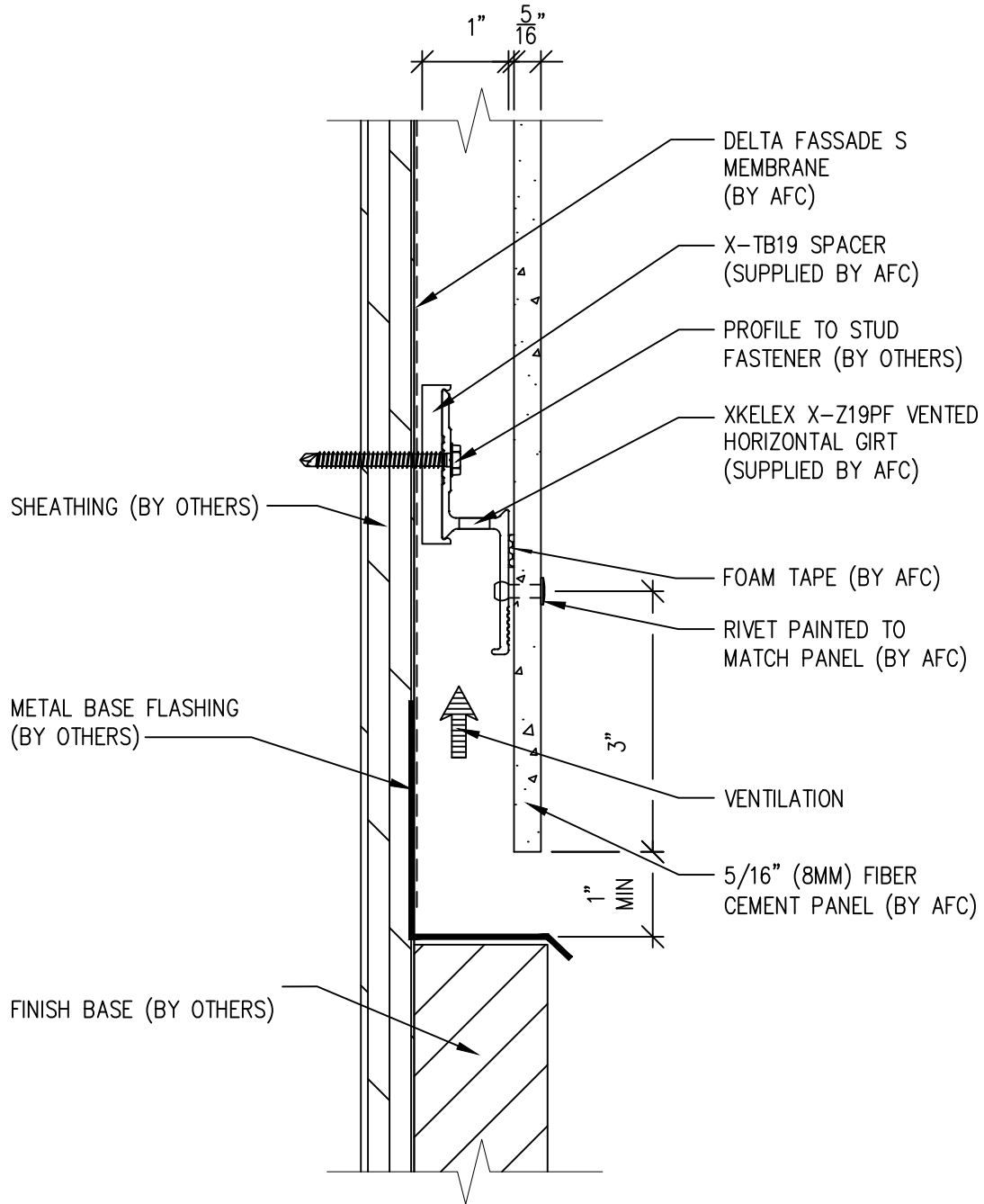


(303) 972-5107
6901 S Pierce St #180
Littleton, CO 80128
www.americanfibercement.com

Ref.:
Horizontal Panel Joint

Date: 06/07/2023

One-Layer Aluminum Attachment System XKELEX X-Z19PF Girt



SCALE: 6"=1'-0"

NOTES:

1. PANEL VERTICAL AND HORIZONTAL JOINT SPACING SHOULD BE 3/8" TYPICAL.

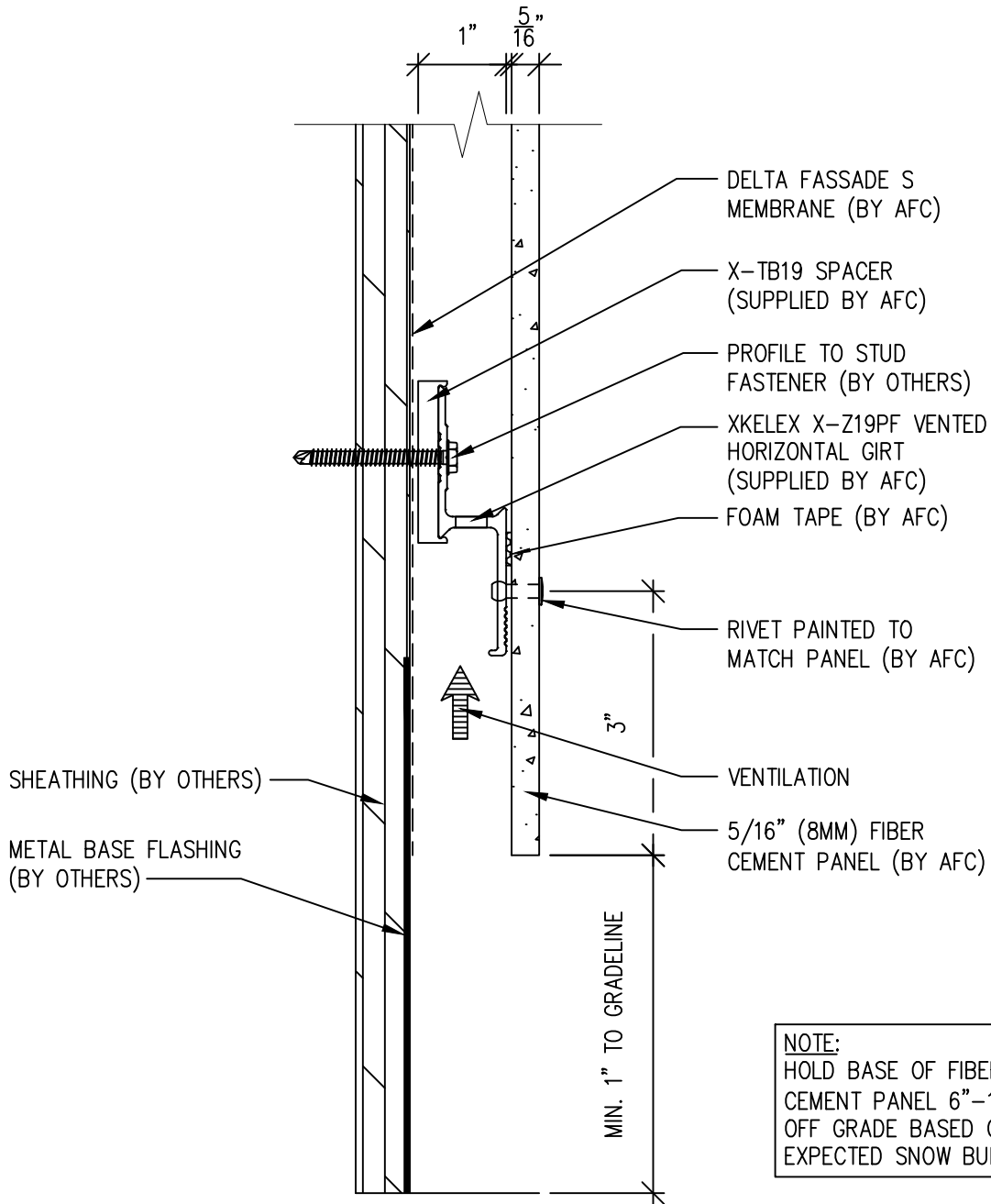


(303) 972-5107
6901 S Pierce St #180
Littleton, CO 80128
www.americanfiber cement.com

Ref.:
Bottom of Panel @
Wall Base

Date: 06/07/2023

One-Layer Aluminum Attachment System XKELEX X-Z19PF Girt



SCALE: 6"=1'-0"

NOTES:

1. PANEL VERTICAL AND HORIZONTAL JOINT SPACING SHOULD BE 3/8" TYPICAL.



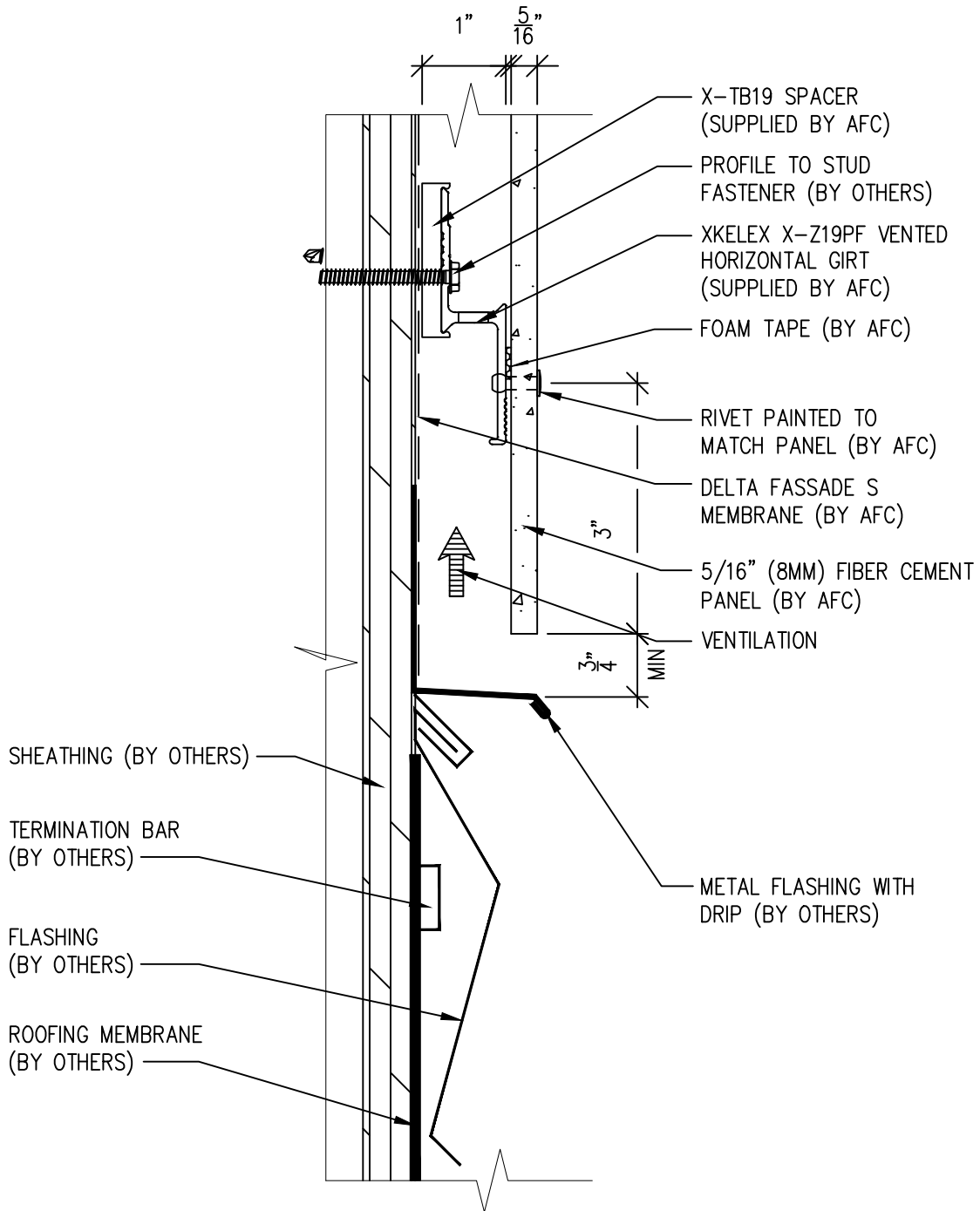
(303) 972-5107
6901 S Pierce St #180
Littleton, CO 80128

www.americanfibercement.com

Ref.:
Bottom of Panel @
Open Termination

Date: 06/07/2023

One-Layer Aluminum Attachment System XKELEX X-Z19PF Girt



SCALE: 6"=1'-0"

NOTES:

1. PANEL VERTICAL AND HORIZONTAL JOINT SPACING SHOULD BE 3/8" TYPICAL.



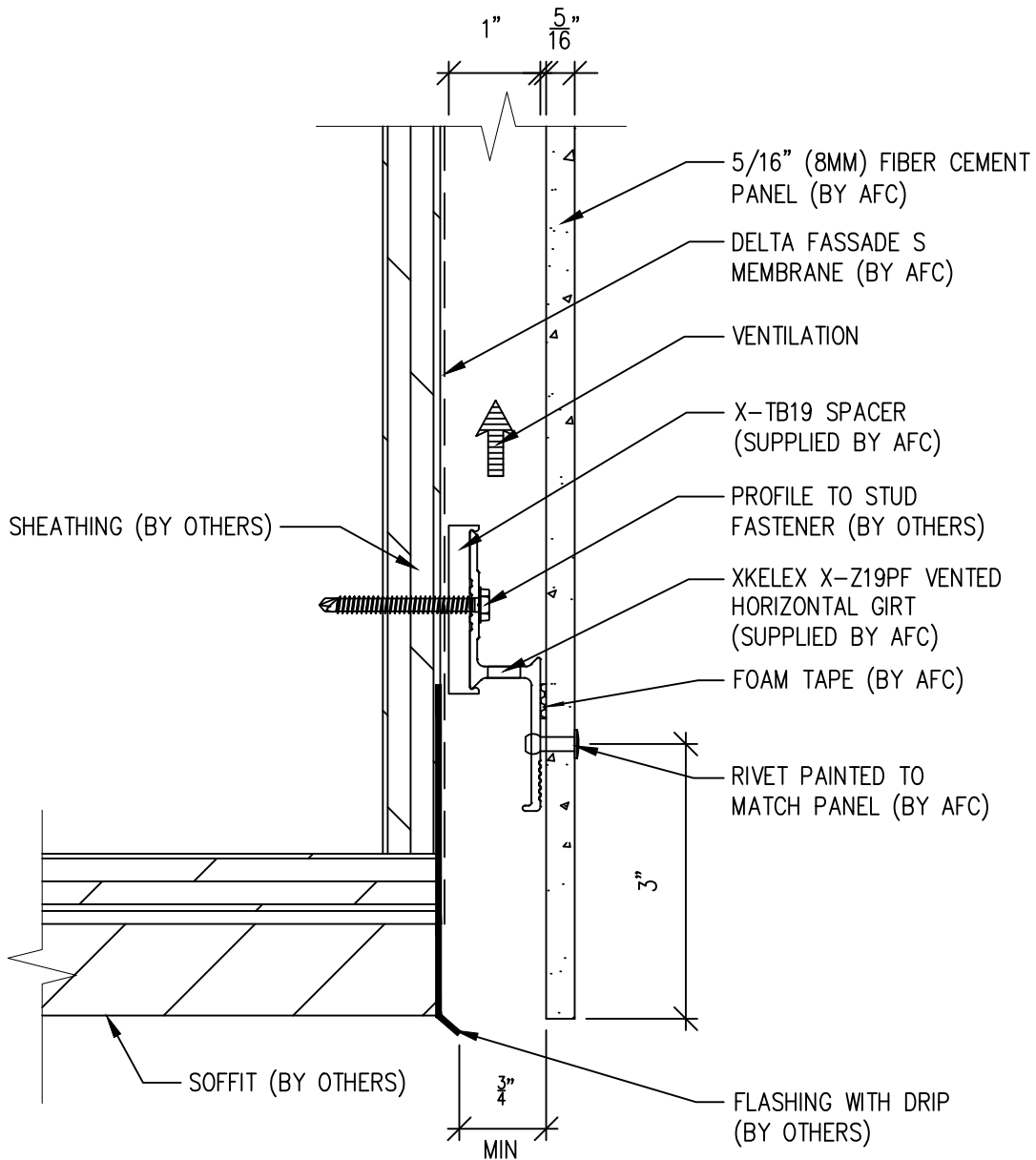
(303) 972-5107
6901 S Pierce St #180
Littleton, CO 80128

www.americanfiber cement.com

Ref.:
Bottom of Panel @
Low Roof Flashing

Date: 06/07/2023

One-Layer Aluminum Attachment System XKELEX X-Z19PF Girt



SCALE: 6"=1'-0"

NOTES:

1. PANEL VERTICAL AND HORIZONTAL JOINT SPACING SHOULD BE 3/8" TYPICAL.

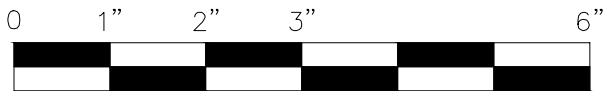
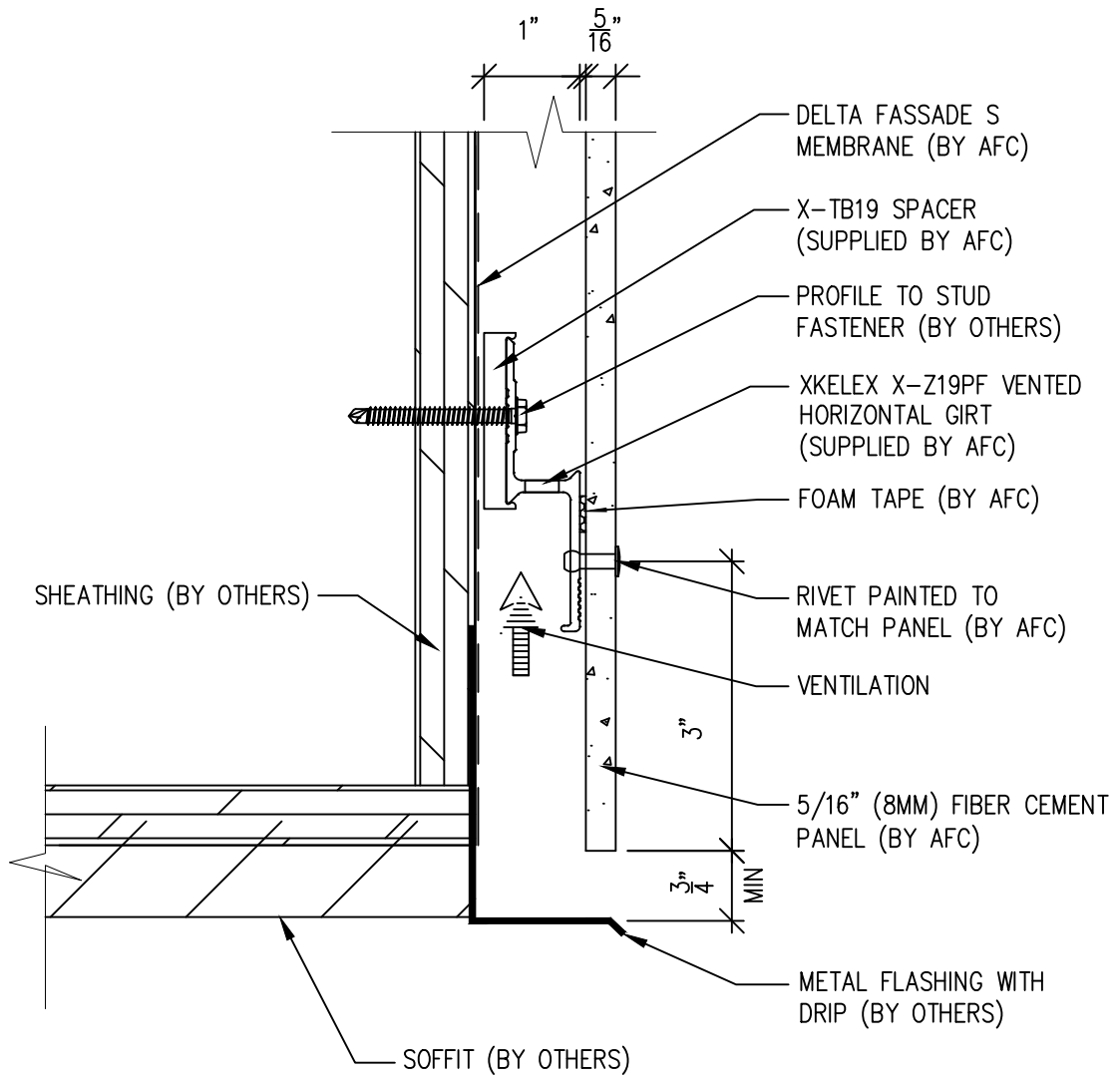


(303) 972-5107
6901 S Pierce St #180
Littleton, CO 80128
www.americanfiber cement.com

Ref.:
Bottom of Panel @
Soffit

Date: 06/07/2023

One-Layer Aluminum Attachment System XKELEX X-Z19PF Girt



SCALE: 6"=1'-0"

NOTES:

1. PANEL VERTICAL AND HORIZONTAL JOINT SPACING SHOULD BE 3/8" TYPICAL.

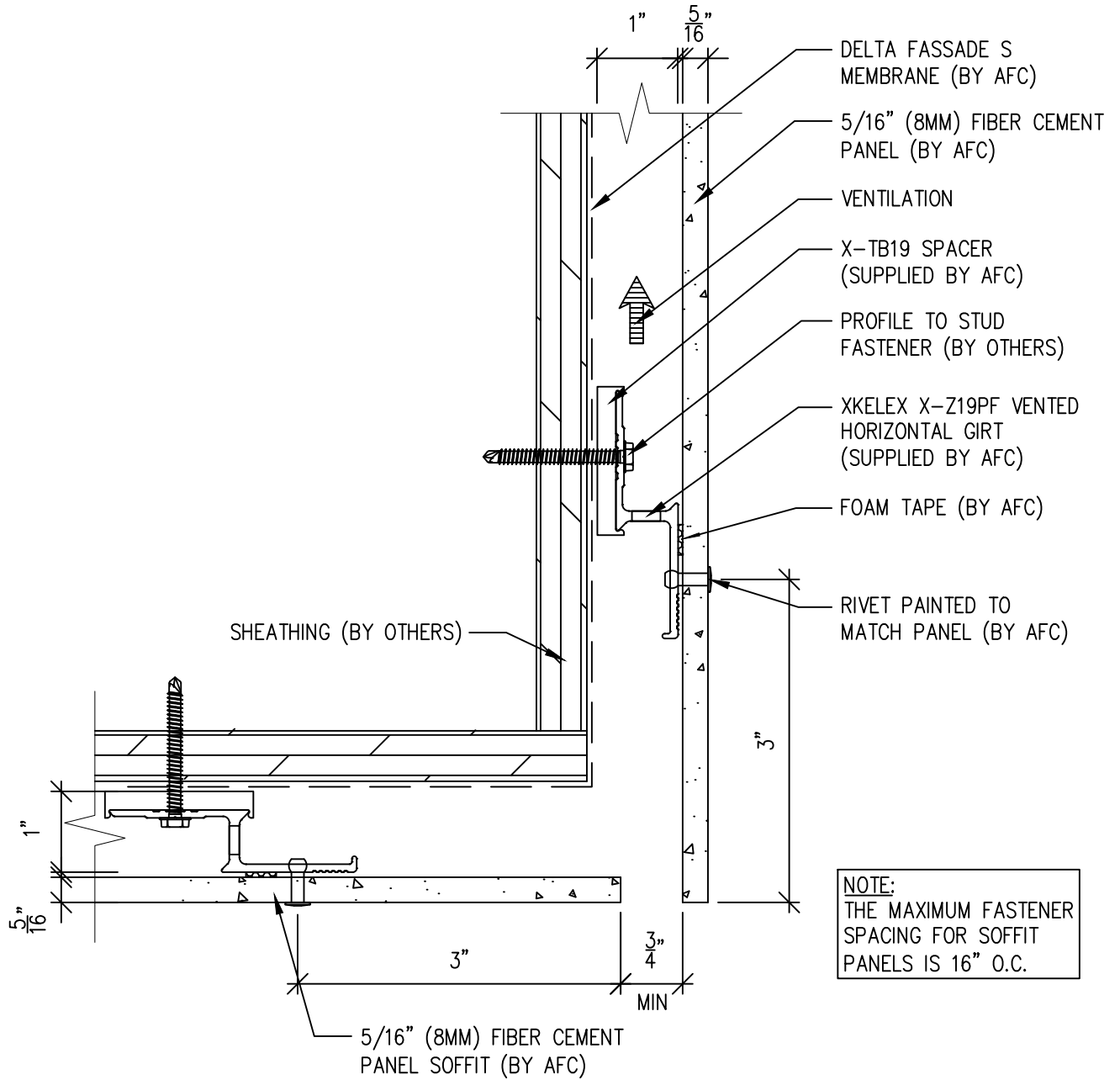


(303) 972-5107
6901 S Pierce St #180
Littleton, CO 80128
www.americanfiberceement.com

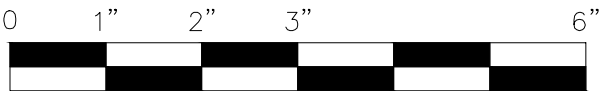
Ref.:
Bottom of Panel @
Soffit (Alternate)

Date: 06/07/2023

One-Layer Aluminum Attachment System XKELEX X-Z19PF Girt



NOTE:
THE MAXIMUM FASTENER
SPACING FOR SOFFIT
PANELS IS 16" O.C.



SCALE: 6" = 1'-0"

NOTES:

- PANEL VERTICAL AND HORIZONTAL JOINT SPACING SHOULD BE 3/8" TYPICAL.

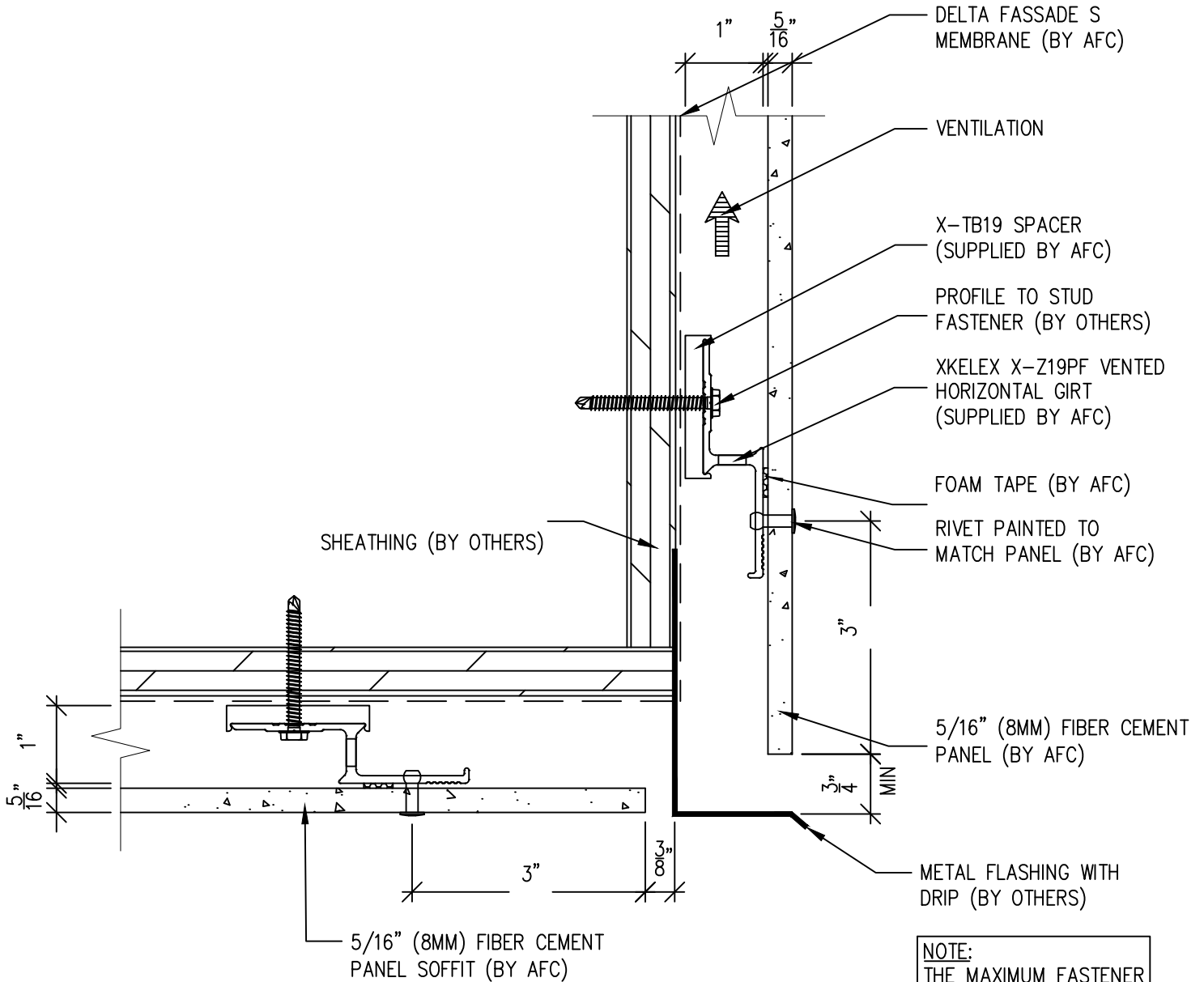


(303) 972-5107
6901 S Pierce St #180
Littleton, CO 80128
www.americanfiber cement.com

Ref.:
Bottom of Panel @
F.C.P. Soffit

Date: 06/07/2023

One-Layer Aluminum Attachment System XKELEX X-Z19PF Girt



NOTE:
THE MAXIMUM FASTENER SPACING FOR SOFFIT PANELS IS 16" O.C.



SCALE: 6"=1'-0"

NOTES:

1. PANEL VERTICAL AND HORIZONTAL JOINT SPACING SHOULD BE 3/8" TYPICAL.

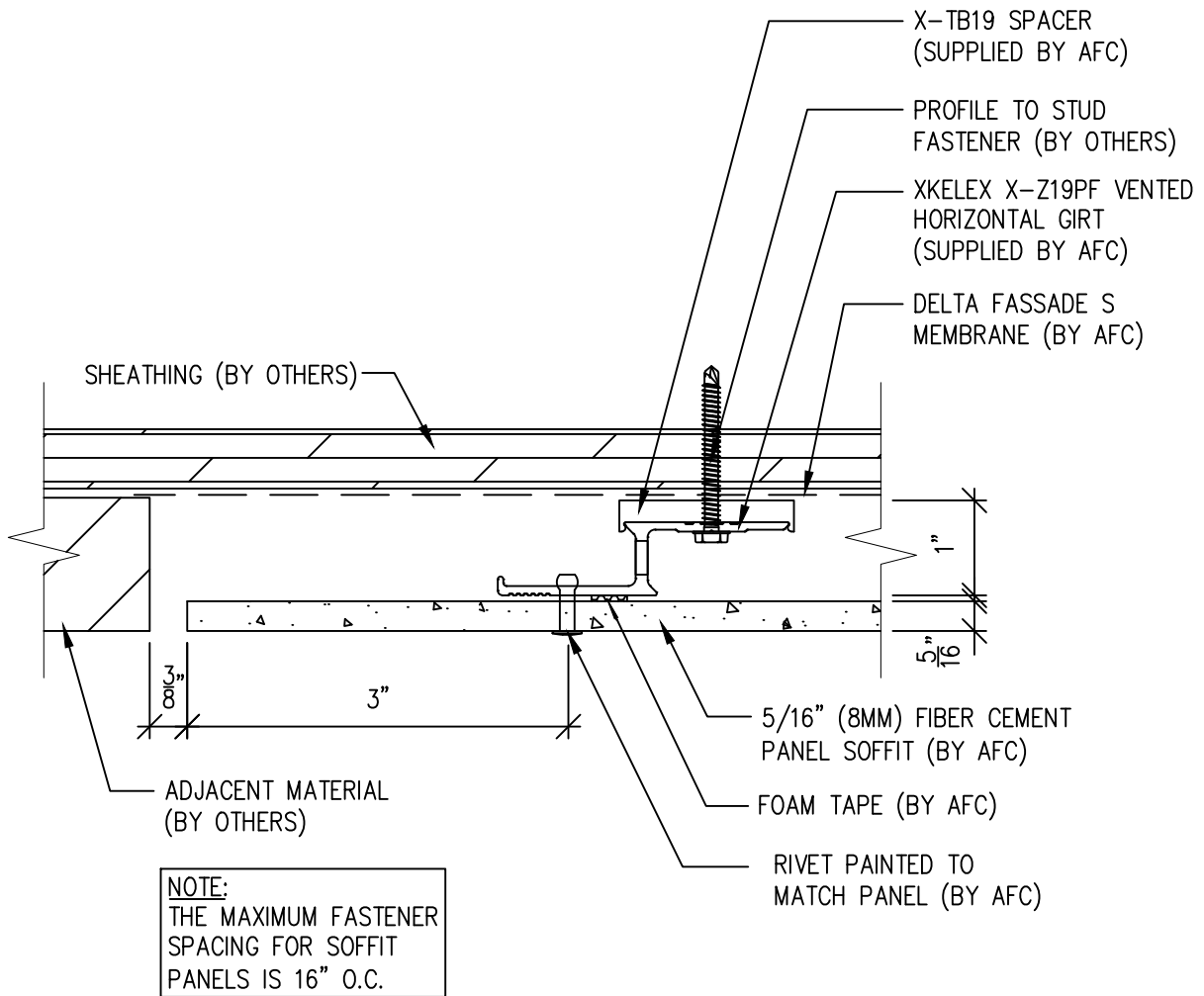


(303) 972-5107
6901 S Pierce St #180
Littleton, CO 80128
www.americanfiber cement.com

Ref.:
Bottom of Panel @
F.C.P. Soffit (Alternate)

Date: 06/07/2023

One-Layer Aluminum Attachment System XKELEX X-Z19PF Girt



SCALE: 6"=1'-0"

NOTES:

1. PANEL VERTICAL AND HORIZONTAL JOINT SPACING SHOULD BE 3/8" TYPICAL.



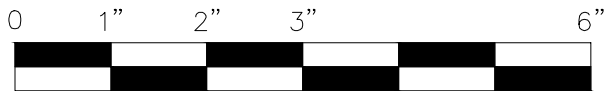
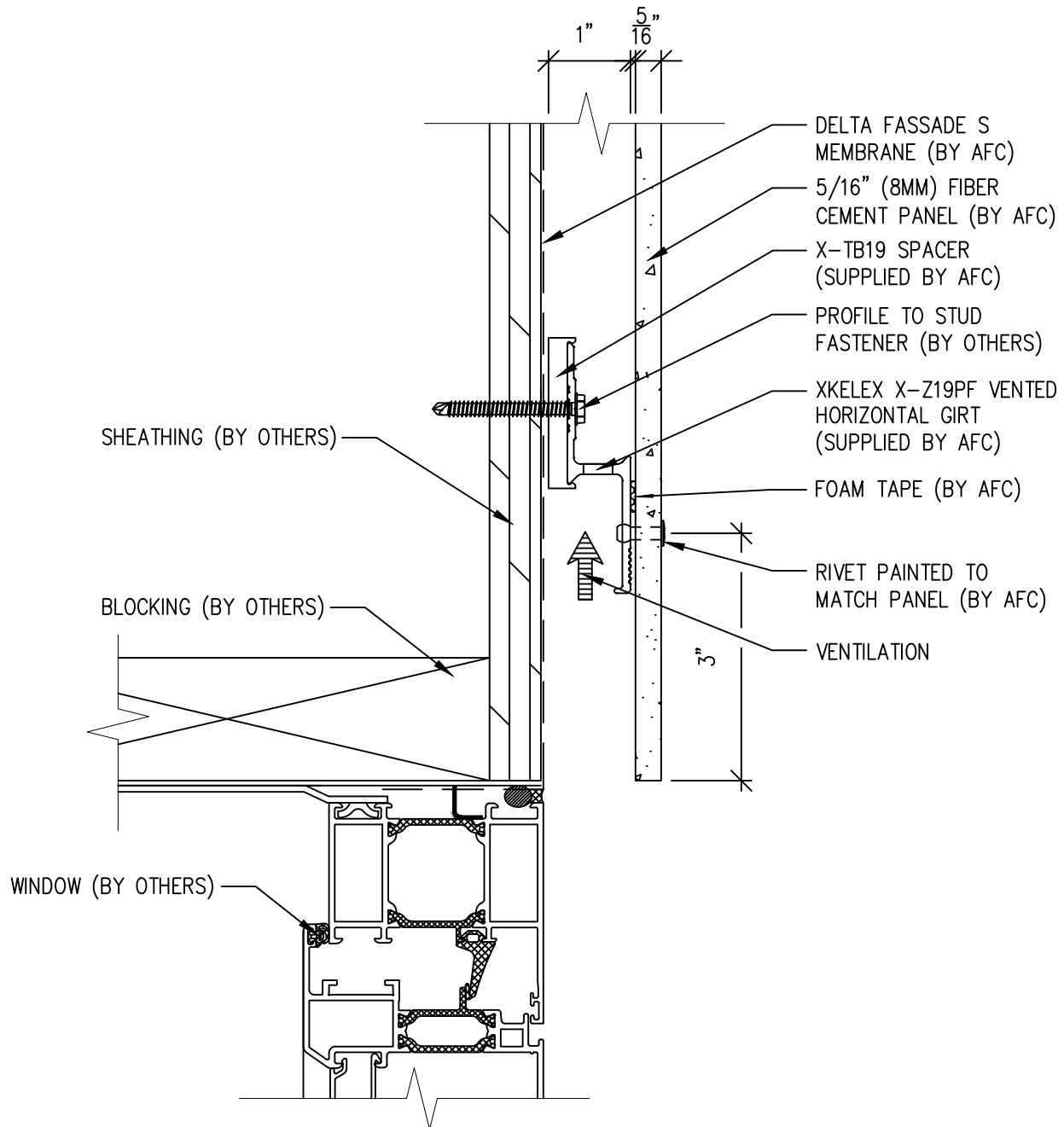
(303) 972-5107
6901 S Pierce St #180
Littleton, CO 80128

www.americanfiber cement.com

Ref.:
Soffit Termination @
Adjacent Material

Date: 06/07/2023

One-Layer Aluminum Attachment System XKELEX X-Z19PF Girt



SCALE: 6"=1'-0"

NOTES:

1. PANEL VERTICAL AND HORIZONTAL JOINT SPACING SHOULD BE 3/8" TYPICAL.

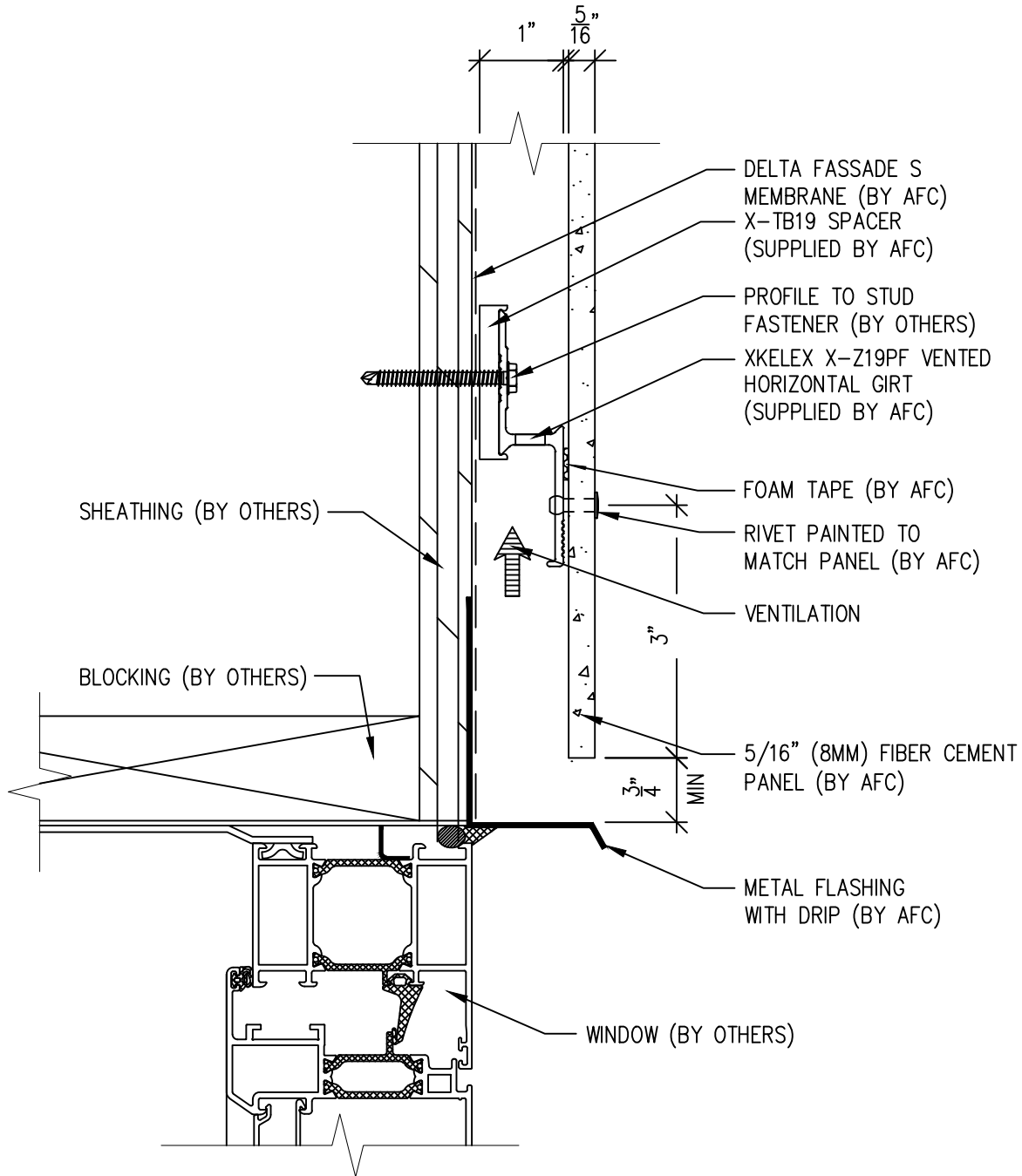


(303) 972-5107
6901 S Pierce St #180
Littleton, CO 80128
www.americanfibercement.com

Ref.:
Bottom of Panel @
Window Head

Date: 06/07/2023

One-Layer Aluminum Attachment System XKELEX X-Z19PF Girt



SCALE: 6"=1'-0"

NOTES:

1. PANEL VERTICAL AND HORIZONTAL JOINT SPACING SHOULD BE 3/8" TYPICAL.



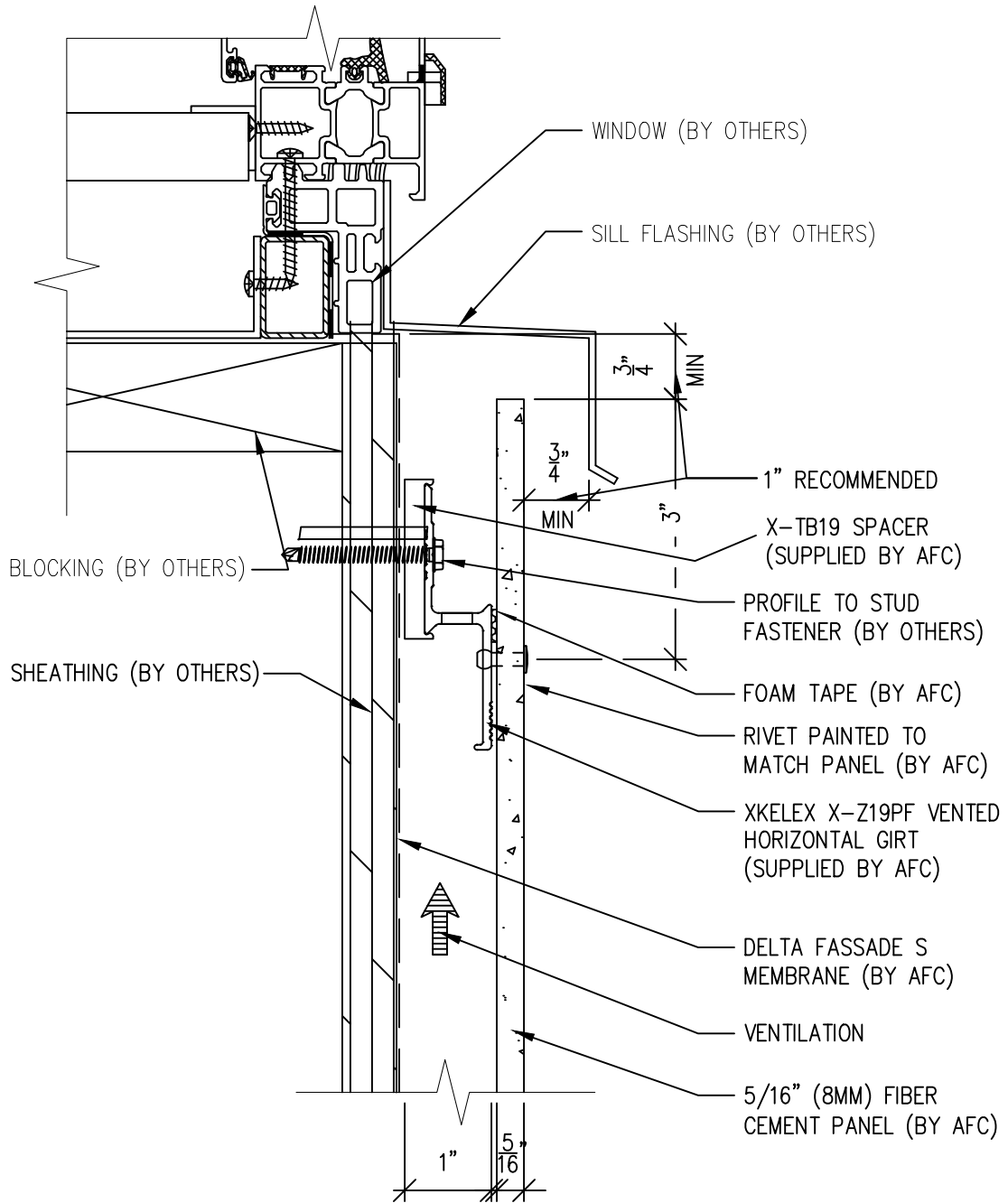
(303) 972-5107
6901 S Pierce St #180
Littleton, CO 80128

www.americanfiber cement.com

Ref.:
Bottom of Panel @
Window Head (Alternate)

Date: 06/07/2023

One-Layer Aluminum Attachment System XKELEX X-Z19PF Girt



SCALE: 6"=1'-0"

NOTES:

- PANEL VERTICAL AND HORIZONTAL JOINT SPACING SHOULD BE 3/8" TYPICAL.

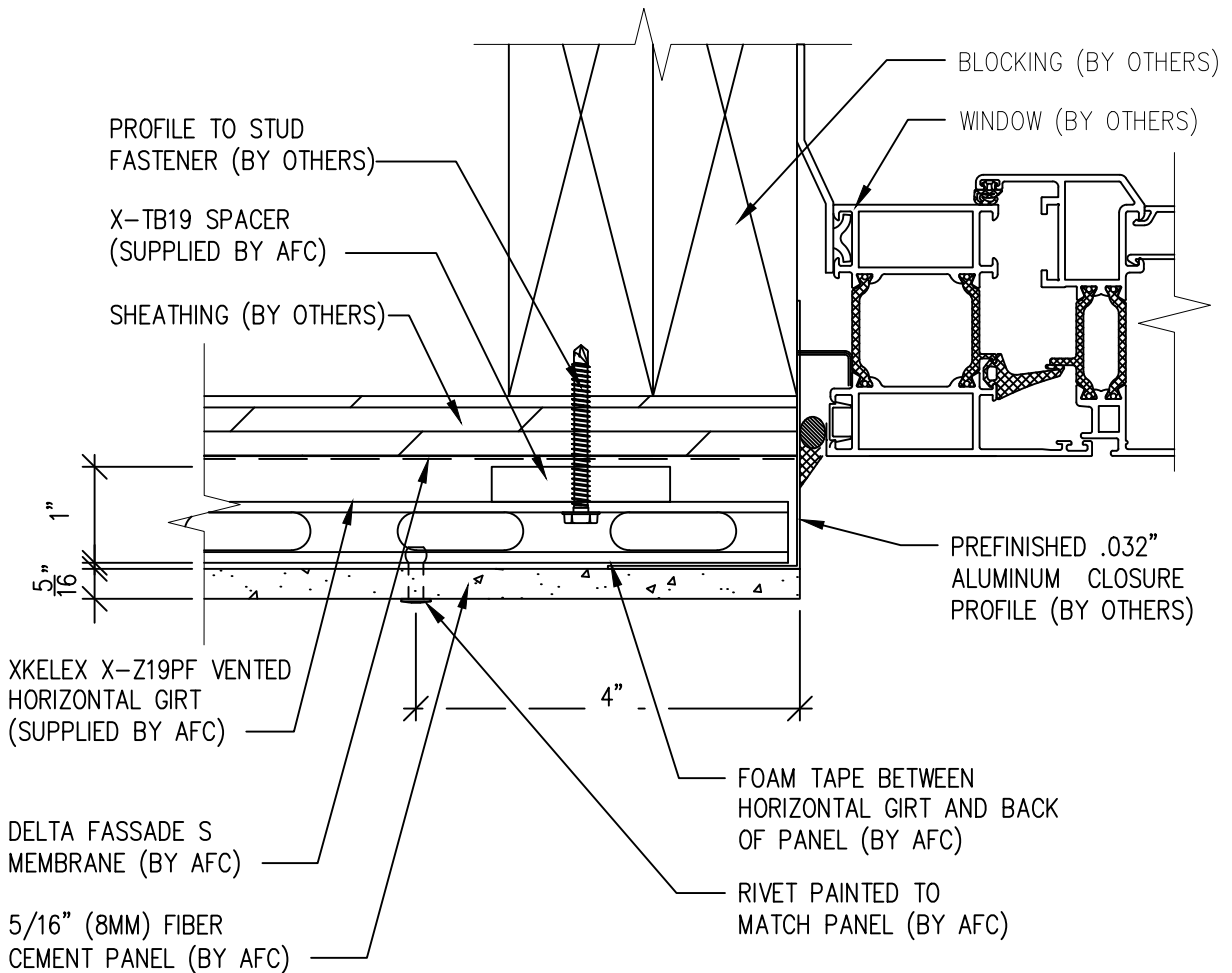


(303) 972-5107
6901 S Pierce St #180
Littleton, CO 80128
www.americanfibercement.com

Ref.:
Top of Panel @
Window Sill

Date: 06/07/2023

One-Layer Aluminum Attachment System XKELEX X-Z19PF Girt



SCALE: 6"=1'-0"

NOTES:

1. PANEL VERTICAL AND HORIZONTAL JOINT SPACING SHOULD BE 3/8" TYPICAL.

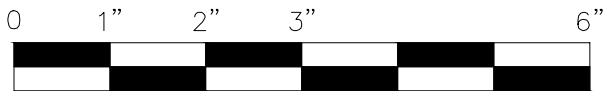
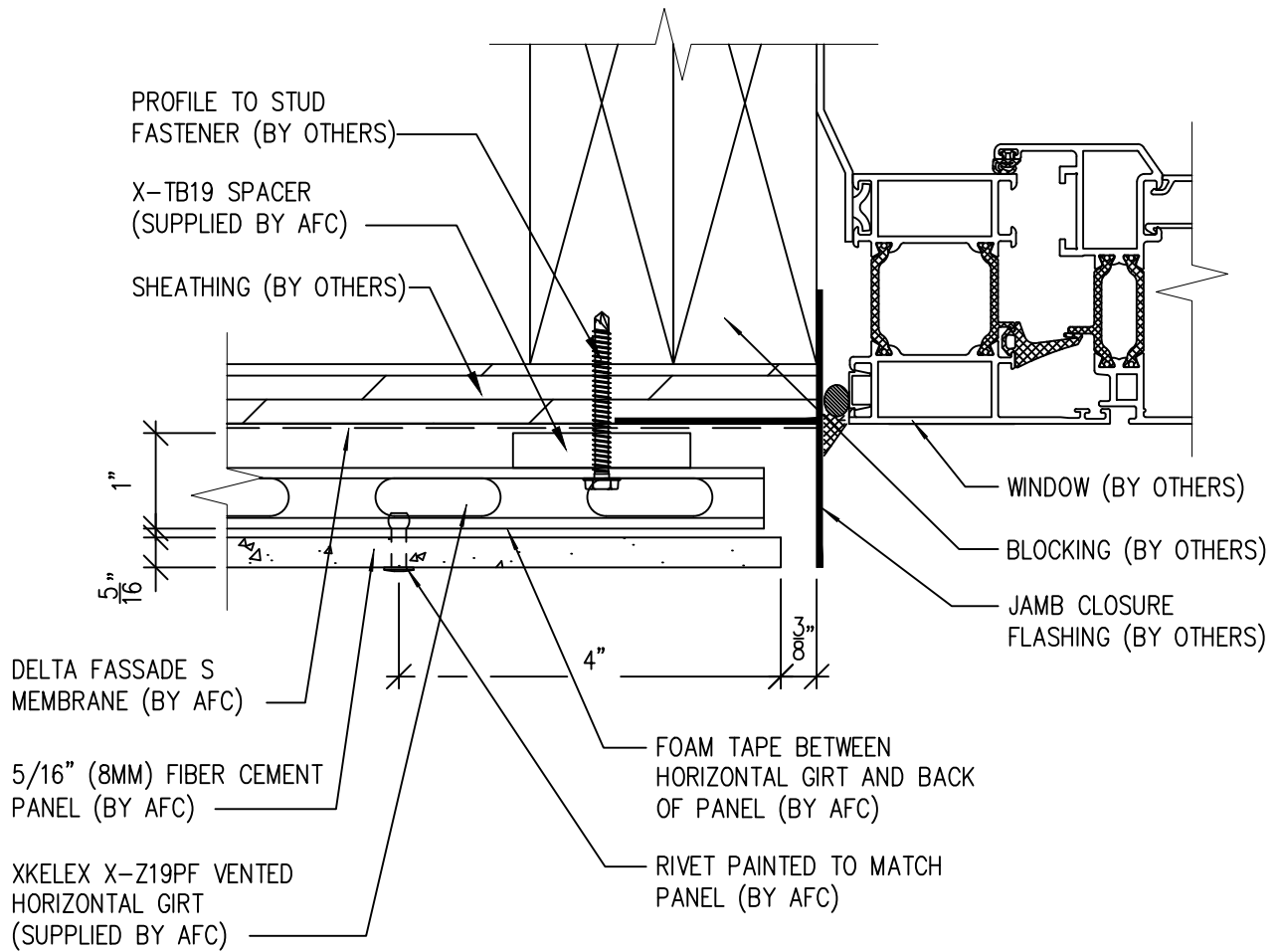


(303) 972-5107
6901 S Pierce St #180
Littleton, CO 80128
www.americanfibercement.com

Ref.:
Panel Edge @
Window Jamb

Date: 06/07/2023

One-Layer Aluminum Attachment System XKELEX X-Z19PF Girt



SCALE: 6"=1'-0"

NOTES:

1. PANEL VERTICAL AND HORIZONTAL JOINT SPACING SHOULD BE 3/8" TYPICAL.



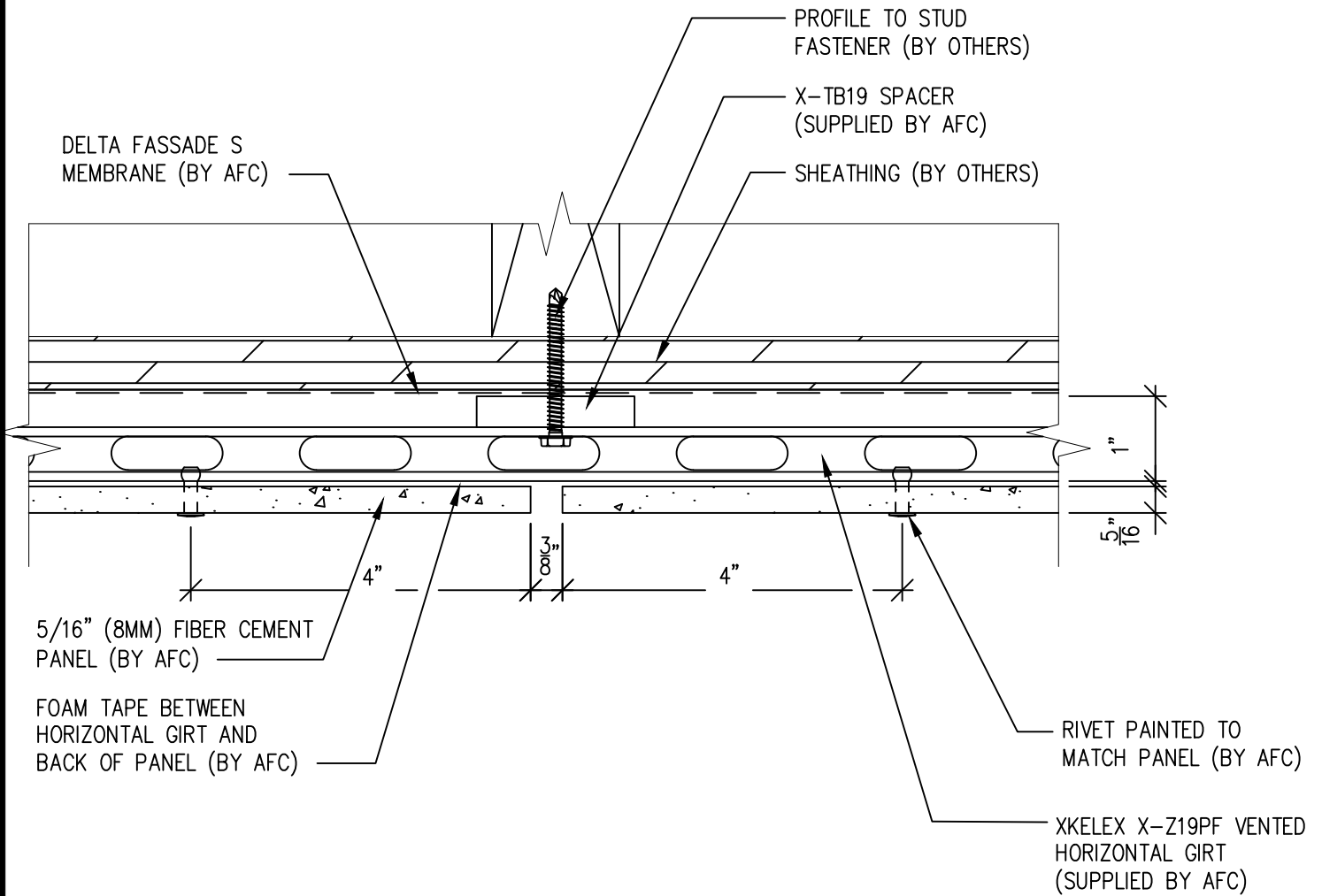
(303) 972-5107
6901 S Pierce St #180
Littleton, CO 80128

www.americanfiber cement.com

Ref.:
Panel Edge @
Window Jamb (Alternate)

Date: 06/07/2023

One-Layer Aluminum Attachment System XKELEX X-Z19PF Girt



SCALE: 6" = 1'-0"

NOTES:

1. PANEL VERTICAL AND HORIZONTAL JOINT SPACING SHOULD BE 3/8" TYPICAL.

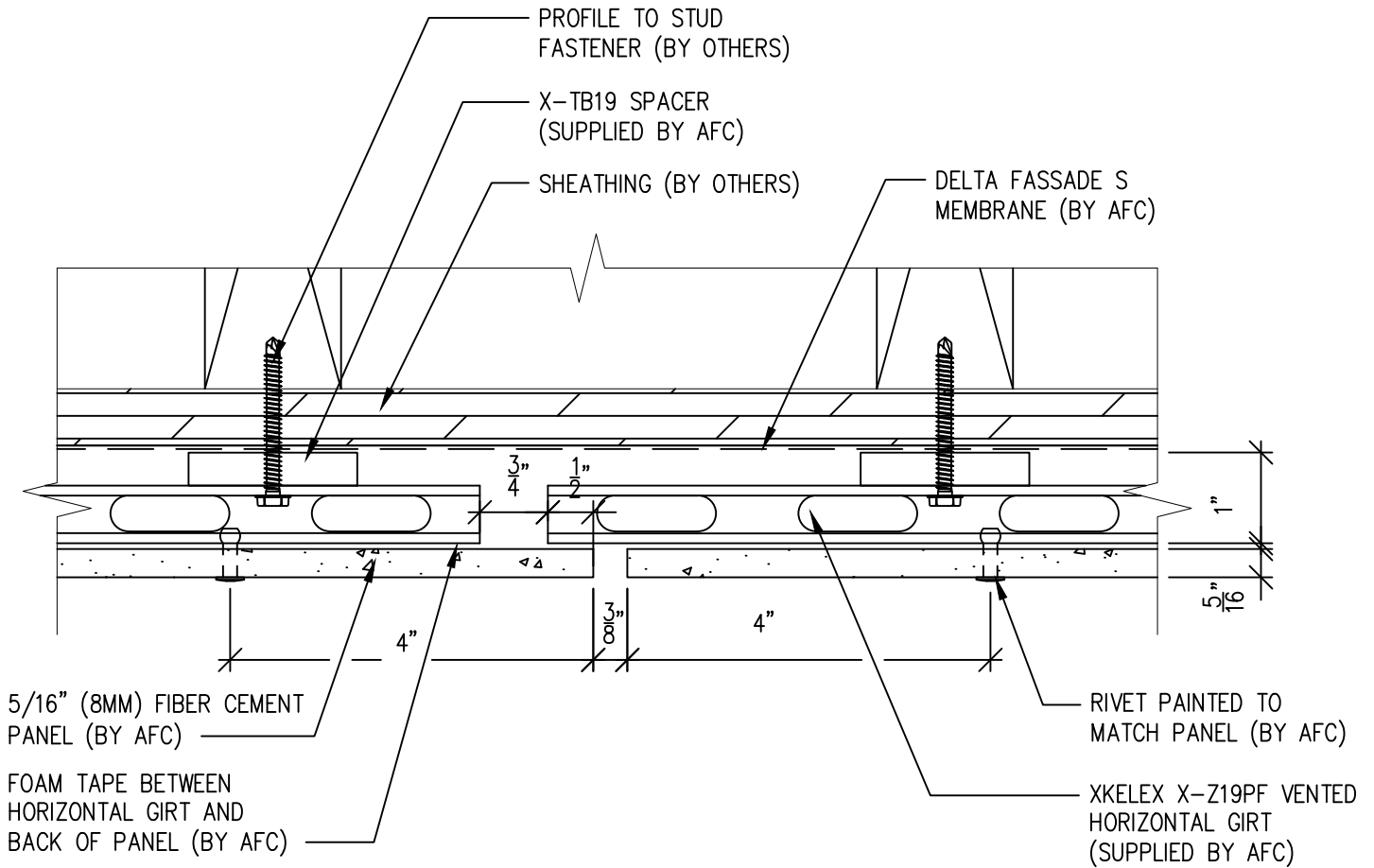


(303) 972-5107
6901 S Pierce St #180
Littleton, CO 80128
www.americanfiber cement.com

Ref.:
Vertical Joint @
Continuous Substrate

Date: 06/07/2023

One-Layer Aluminum Attachment System XKELEX X-Z19PF Girt



SCALE: 6" = 1'-0"

NOTES:

1. PANEL VERTICAL AND HORIZONTAL JOINT SPACING SHOULD BE 3/8" TYPICAL.



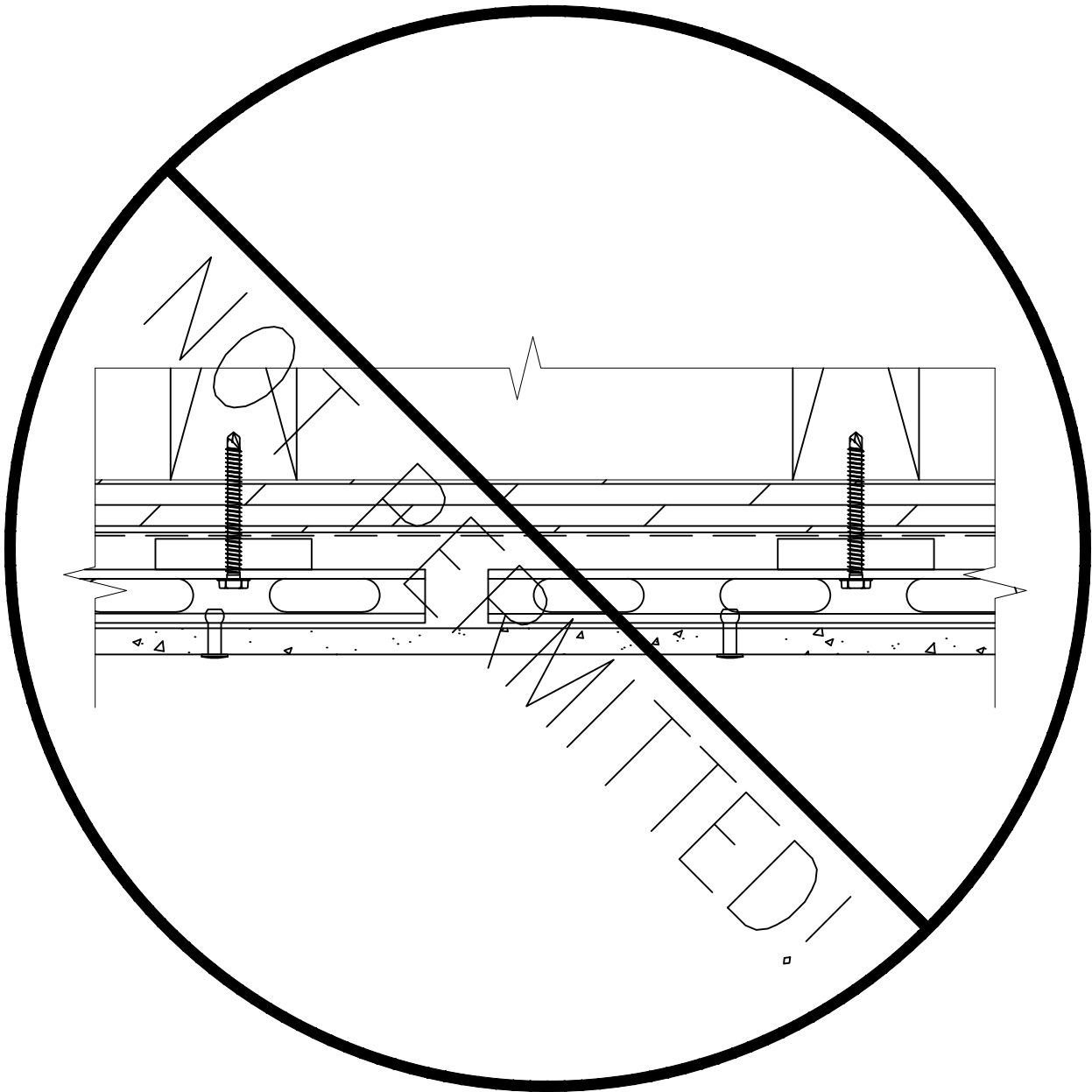
(303) 972-5107
6901 S Pierce St #180
Littleton, CO 80128

www.americanfibercement.com

Ref.:
Vertical Joint @
Break in Substrate

Date: 06/07/2023

One-Layer Aluminum Attachment System XKELEX X-Z19PF Girt



SCALE: 6"=1'-0"

NOTES:

1. PANEL VERTICAL AND HORIZONTAL JOINT SPACING SHOULD BE 3/8" TYPICAL.



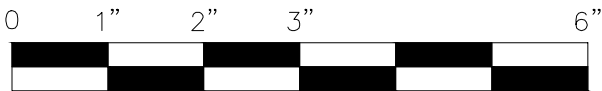
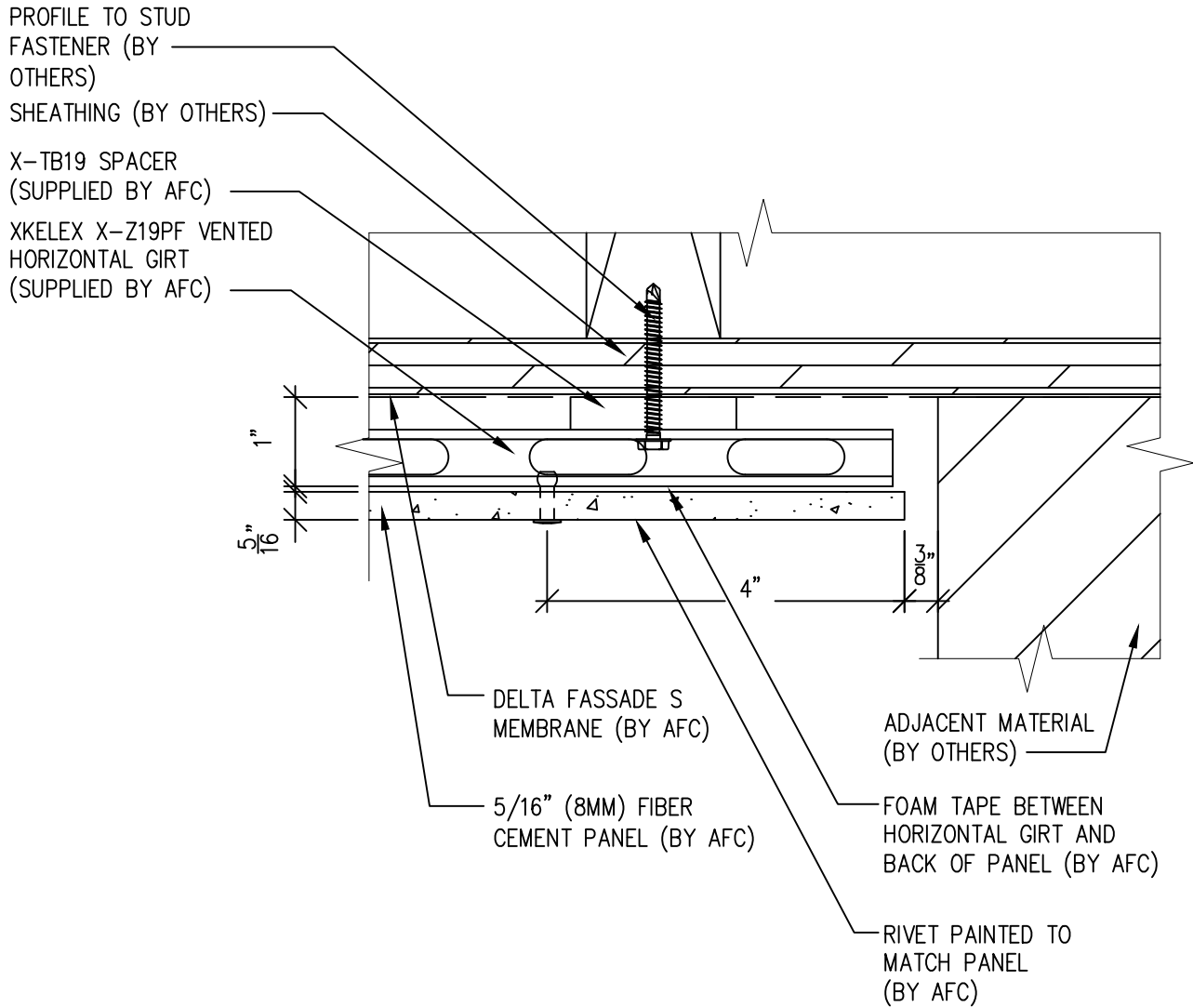
(303) 972-5107
6901 S Pierce St #180
Littleton, CO 80128

www.americanfibercement.com

Ref.:
Not Permitted @
Break in Substrate

Date: 06/07/2023

One-Layer Aluminum Attachment System XKELEX X-Z19PF Girt



SCALE: 6"=1'-0"

NOTES:

1. PANEL VERTICAL AND HORIZONTAL JOINT SPACING SHOULD BE 3/8" TYPICAL.



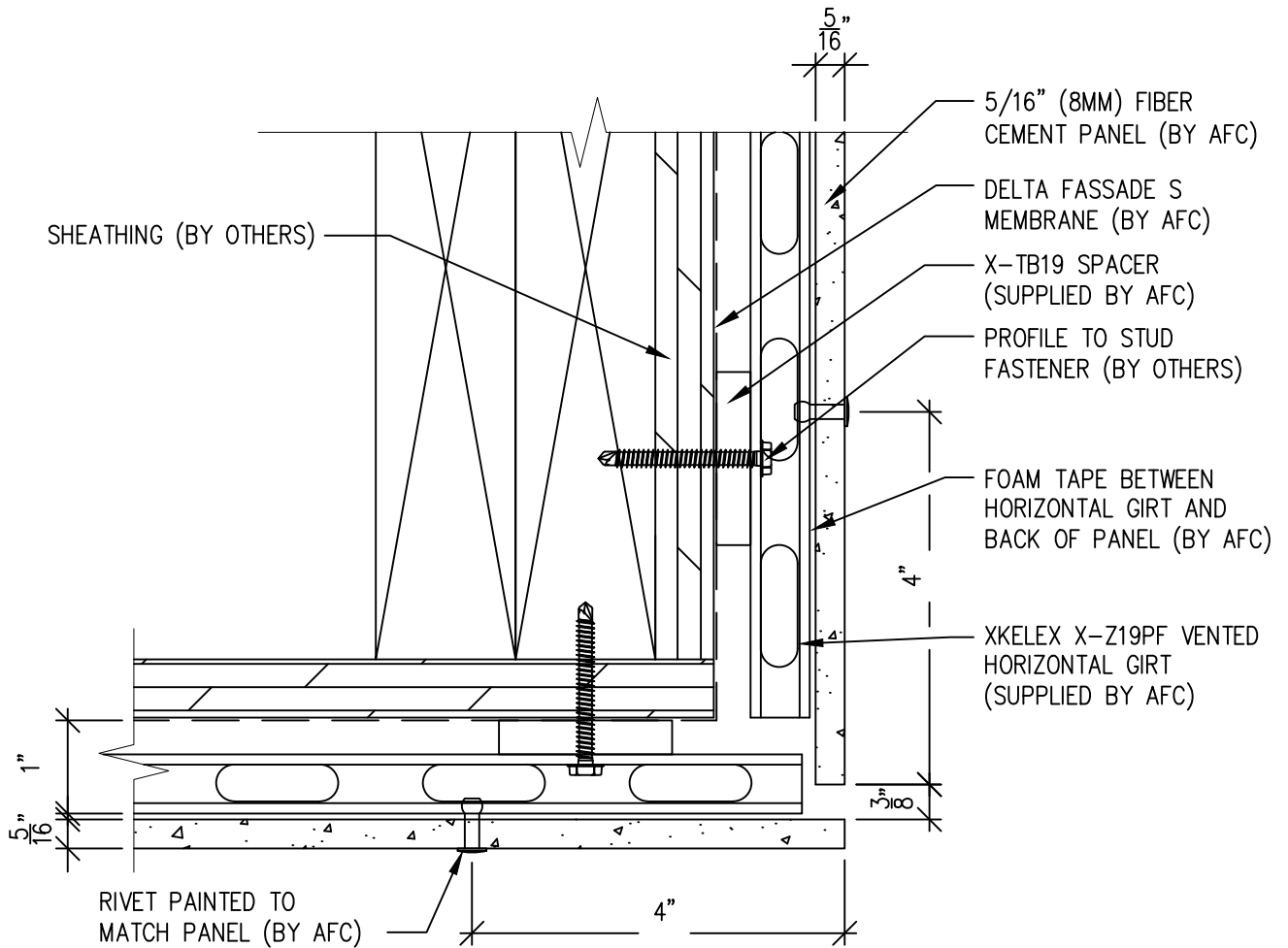
(303) 972-5107
6901 S Pierce St #180
Littleton, CO 80128

www.americanfibercement.com

Ref.:
Panel Edge @
Butt Joint

Date: 06/07/2023

One-Layer Aluminum Attachment System XKELEX X-Z19PF Girt



SCALE: 6"=1'-0"

NOTES:

1. PANEL VERTICAL AND HORIZONTAL JOINT SPACING SHOULD BE 3/8" TYPICAL.

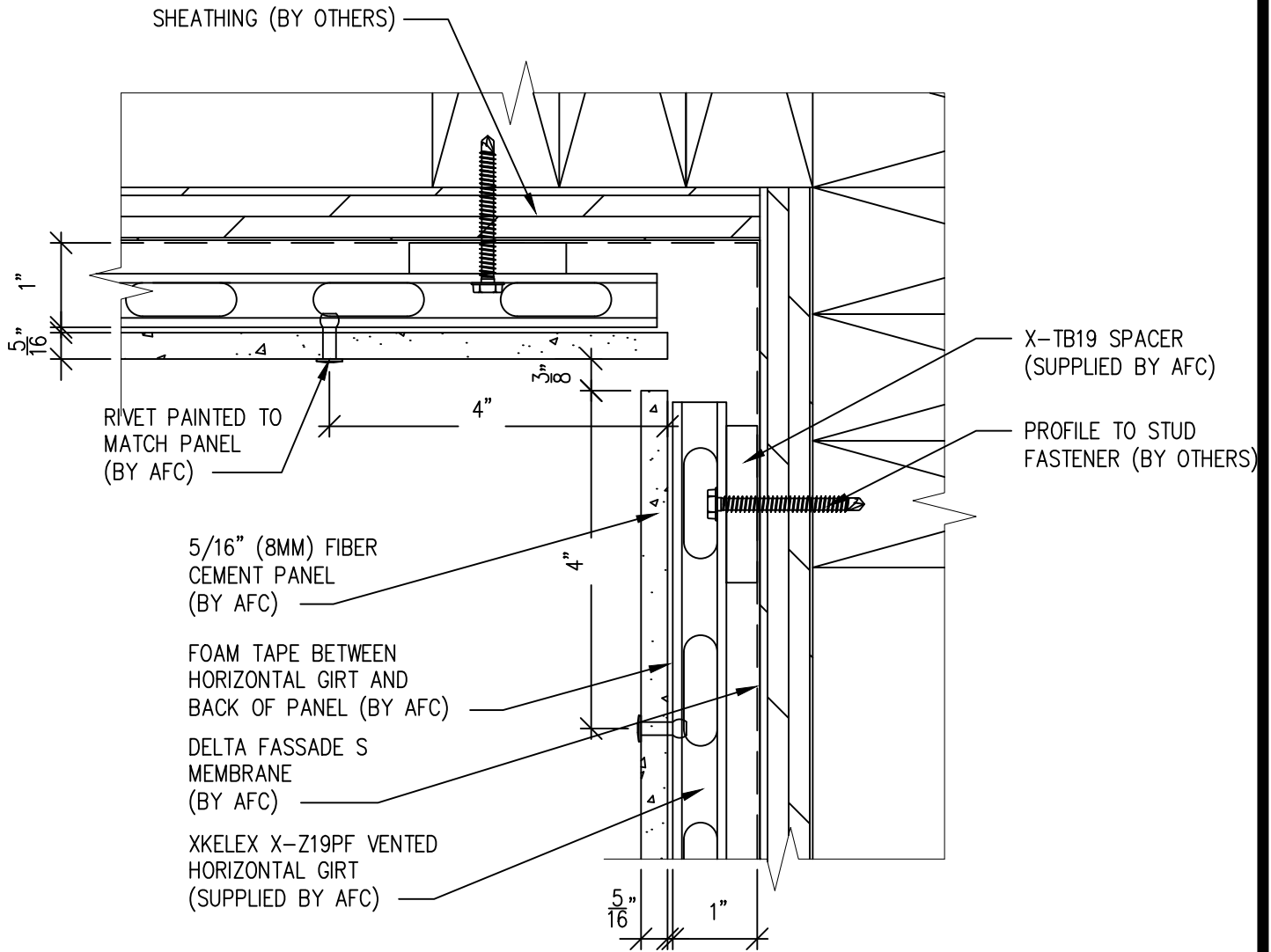


(303) 972-5107
6901 S Pierce St #180
Littleton, CO 80128
www.americanfiber cement.com

Ref.:
Panels @
Outside Corner

Date: 06/07/2023

One-Layer Aluminum Attachment System XKELEX X-Z19PF Girt



SCALE: 6"=1'-0"

NOTES:

1. PANEL VERTICAL AND HORIZONTAL JOINT SPACING SHOULD BE 3/8" TYPICAL.



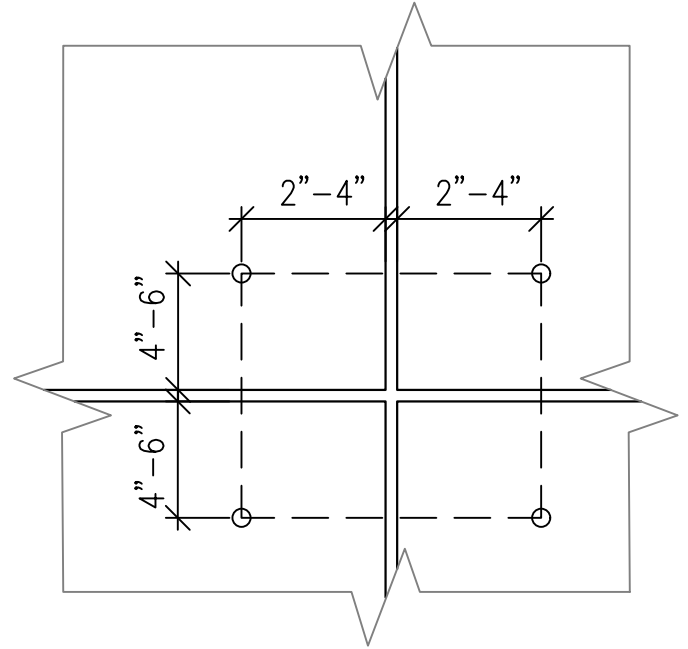
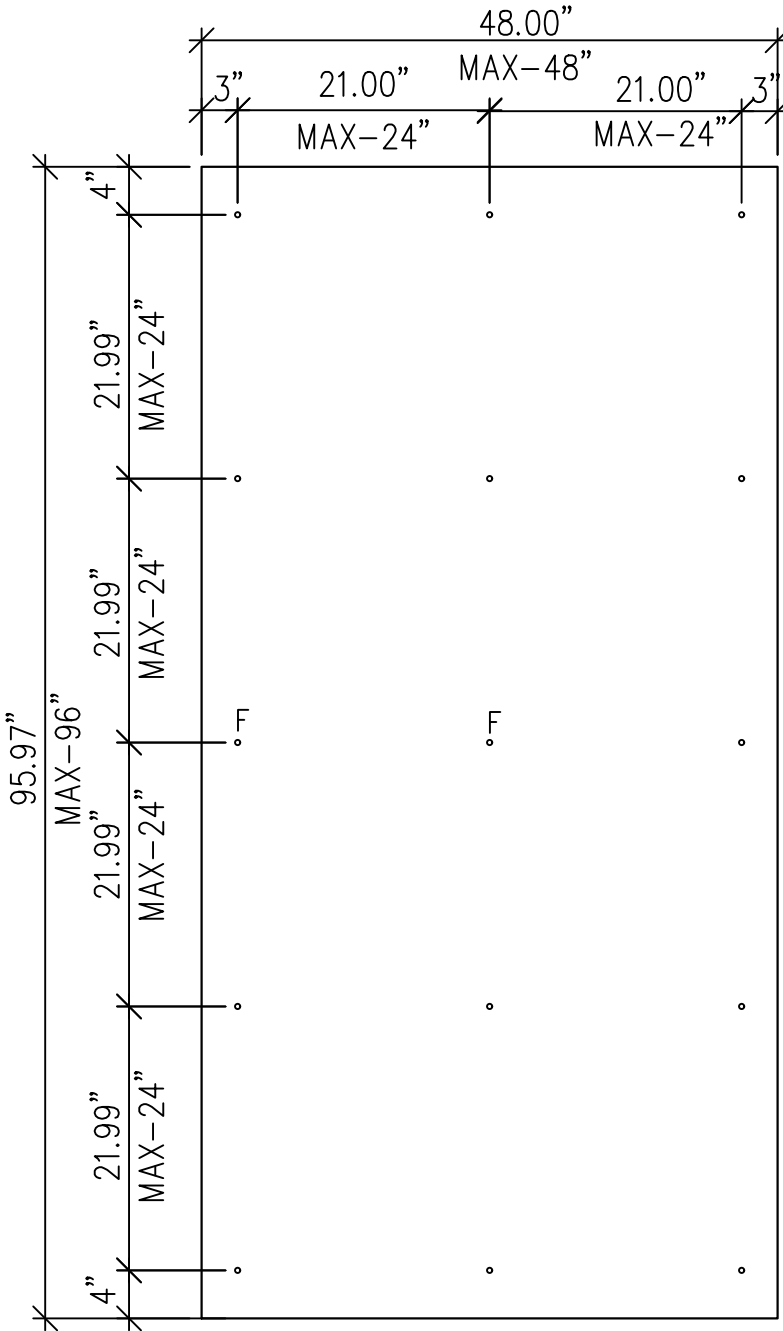
(303) 972-5107
6901 S Pierce St #180
Littleton, CO 80128

www.americanfibercement.com

Ref.:
Panels @
Inside Corner

Date: 06/07/2023

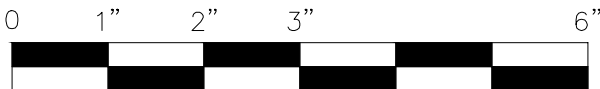
Typical Steel And Aluminum Attachment System



Typical Edge Fasteners
Scale 3"=1'

DRILLING KEY :

Metal (Steel and Aluminum) – Fixed Points 8.3 mm (Drill Bit Sourced from AFCC), Gliding Points 12mm (Drill Bit Sourced from AFCC)



SCALE 3/4"=1'-0"

NOTES:

1. PANEL VERTICAL AND HORIZONTAL JOINT SPACING SHOULD BE 3/8" TYPICAL.



(303) 972-5107
6901 S Pierce St #180
Littleton, CO 80128
www.americanfibercement.com

Ref.:
Typical Fastner layout

Date: 06/07/2023