

SUBSTANTIAL EFFORT HAS BEEN MADE TO ENSURE THAT THE INFORMATION IN THIS DETAIL DRAWING IS ACCURATE. DÖRKEN SYSTEMS INC. CANNOT ACCEPT RESPONSIBILITY FOR ANY ERRORS OR OVERSIGHTS IN THE USE OF THIS MATERIAL OR IN THE PREPARATION OF ARCHITECTURAL OR ENGINEERING PLANS. THE DESIGN PROFESSIONAL MUST RECOGNIZE THAT NO DESIGN DETAIL CAN SUBSTITUTE FOR EXPERIENCED ENGINEERING AND PROFESSIONAL JUDGEMENT.

TITLE:

DELTA®-FASSADE S open joint cladding system

DRAWN BY: Krzysztof Apiasz C. Tech., CPHC®

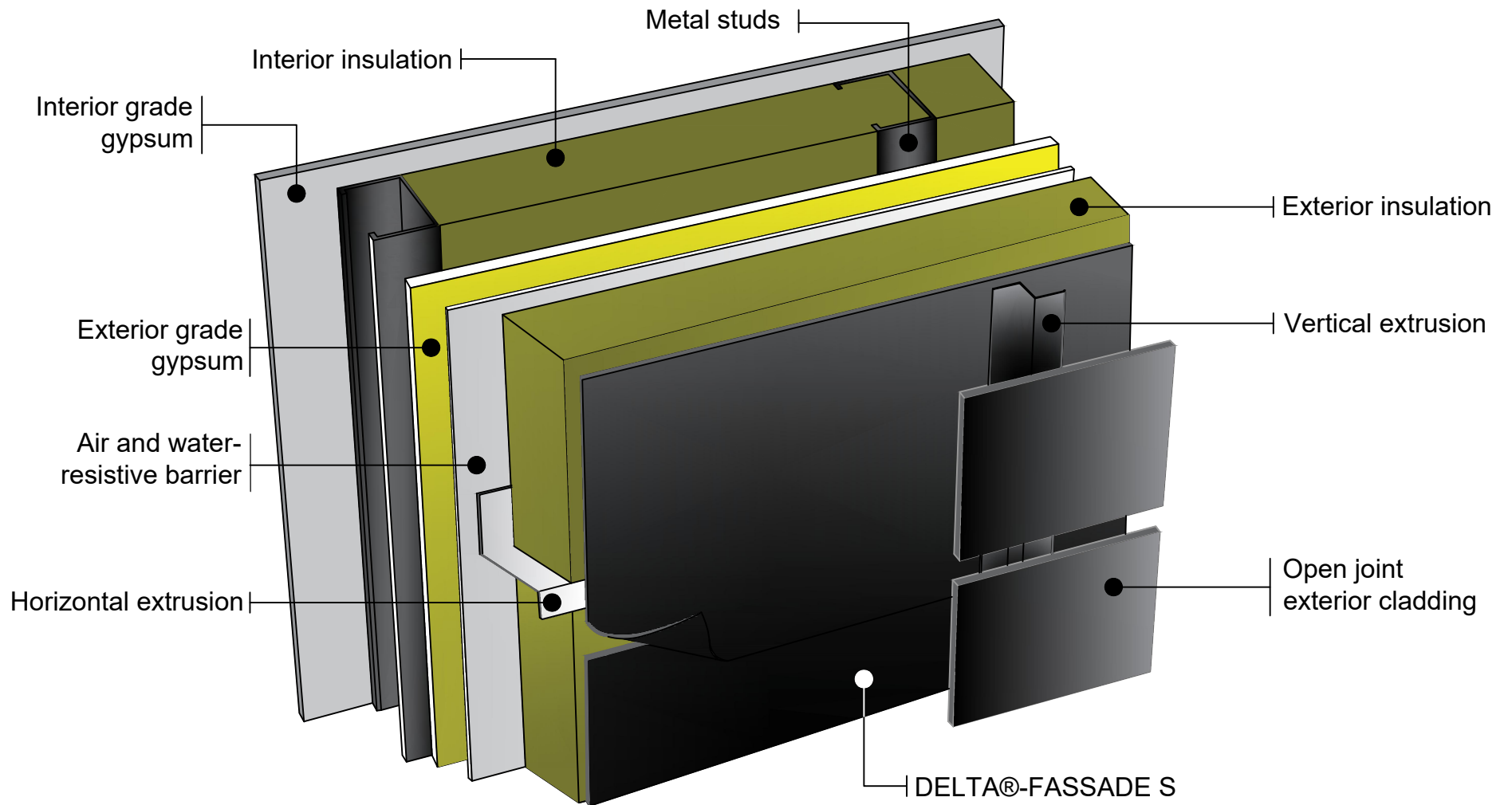
DATE: April 13, 2017
SCALE: NTS

FILE NAME:
DELTA-FASSADE S1

DÖRKEN

DELTA®

4655 DELTA WAY BEAMSVILLE, ON. L0R 1B4 CANADA
1-888-433-5824 or 1-905-563-3255



SUBSTANTIAL EFFORT HAS BEEN MADE TO ENSURE THAT THE INFORMATION IN THIS DETAIL DRAWING IS ACCURATE. DÖRKEN SYSTEMS INC. CANNOT ACCEPT RESPONSIBILITY FOR ANY ERRORS OR OVERSIGHTS IN THE USE OF THIS MATERIAL OR IN THE PREPARATION OF ARCHITECTURAL OR ENGINEERING PLANS. THE DESIGN PROFESSIONAL MUST RECOGNIZE THAT NO DESIGN DETAIL CAN SUBSTITUTE FOR EXPERIENCED ENGINEERING AND PROFESSIONAL JUDGEMENT.

TITLE:

DELTA®-FASSADE S open joint cladding system

DRAWN BY: Krzysztof Apiasz C. Tech., CPHC®

DATE: April 13, 2017
SCALE: NTS

FILE NAME:
DELTA-FASSADE S1

DÖRKEN

DELTA®

4655 DELTA WAY BEAMSVILLE, ON. L0R 1B4 CANADA
1-888-433-5824 or 1-905-563-3255