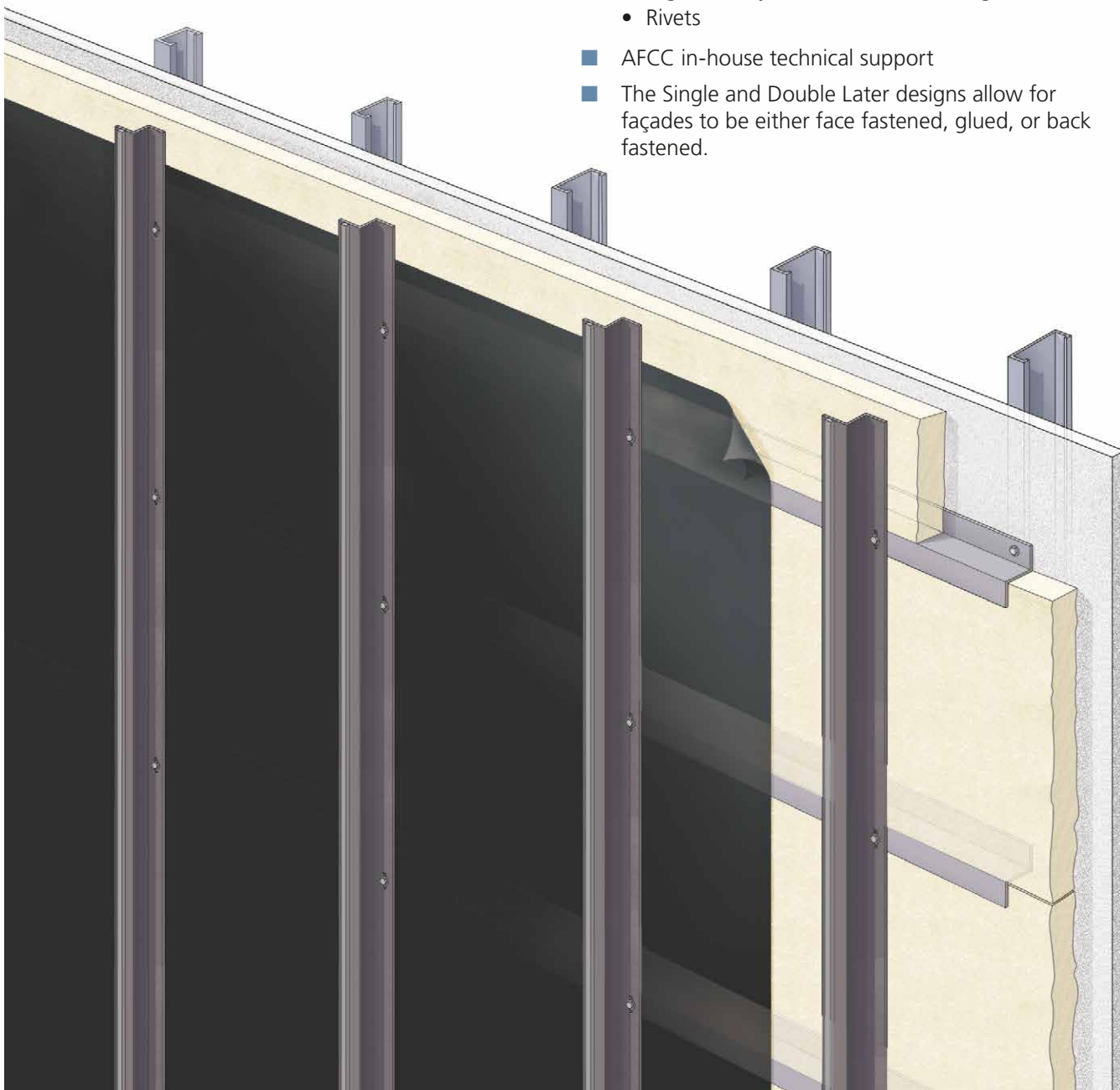


Attachment System Features and Benefits

- G90 and Powder Coated Steel provides excellent corrosion resistance that can handle all types of weather conditions to last the life of the building.
- Black powder coated Vertical Profiles camouflages the system in with the black weather barrier behind.
- Accommodates all types of facades:
  - Metal
  - Phenolic
  - Fiber Cement
  - And more...
- The Single and Double Layer designs provide maximum versatility to control the cost of the building envelope.
- Price competitive with all other comparable systems.
- Manufactured and stocked in the U.S. for quick delivery times.
- The Double Layer System can accommodate up to 3 inches of exterior insulation.
- AFCC can provide an all-in-one facade system package:
  - Weather Barrier
  - Aluminum Attachment System
  - Attachment System Fasteners
  - Engineered design with static calculations for each job
  - High-Density Fiber Cement Cladding
  - Rivets
- AFCC in-house technical support
- The Single and Double Layer designs allow for façades to be either face fastened, glued, or back fastened.



**afcc cladding**  
Product Sustainability Statement

AFC Cladding is committed to providing the highest quality high density compressed fiber cement panels to the U.S. building markets. In order to do this, we feel it necessary to provide not only high quality products, but sustainable products that can contribute to green (LEED) building projects, which in turn benefit the environment we all live in.

AFC Cladding products currently have a potential contribution to various LEED credits including but not limited to:

**Direct Contribution**

**Materials and Resources:**

- ◆ BPDO – Environmental Product Declarations

**Indirect Contribution**

**Indoor Environmental Quality:**

- ◆ Thermal Comfort

**Energy and Atmosphere:**

- ◆ Optimize Energy Performance

One of the most important sustainable attributes is the durability of AFC Cladding panels. With their long lifespan, virtually requiring no refurbishment, AFC Cladding panels can contribute to less replacement of materials and to drastically lower maintenance costs over the useful life of the building.

The Ventilated and Insulated Rainscreen Cladding (VIRSC) system, which is used to affix AFC Cladding panels to the exterior of a structure, offers many benefits and green attributes to the performance of the building envelope. Durability and resistance to moisture and mold build-up are noteworthy benefits. Equally important is its ability to accommodate external insulation.

In addition, AFC Cladding is dedicated to further research and analysis of our products to achieve additional LEED credits, and help further the cause of building sustainable and efficient buildings.

Warranty information available upon request.

**Limited Warranty**

American Fiber Cement Corporation (AFCC) warrants that its products are manufactured in accordance with its applicable material specifications and are free from defects in materials and workmanship using AFCC's specifications as a standard. Only products which are installed and used in accordance with applicable AFCC instructions and specifications are in any way warranted by AFCC. This warranty is applicable only to claims made in writing and received by AFCC within thirty (30) days after the defect was discovered and within ten (10) years after the date of the shipment of the product by AFCC. All other claims are waived. If a claim is made, you must allow reasonable investigation of the product you claim is defective and you must supply samples that adequately demonstrate the problem you claim for testing by AFCC.

AFCC DISCLAIMS ALL IMPLIED WARRANTIES INCLUDING THE WARRANTY OF MERCHANTABILITY AND THE WARRANTY OF FITNESS FOR A PARTICULAR PURPOSE. THIS LIMITED WARRANTY PROVIDES YOUR EXCLUSIVE REMEDY AS A PURCHASER OF AFCC PRODUCTS. THIS LIMITED WARRANTY MAY BE MODIFIED OR AMENDED ONLY BY A WRITTEN INSTRUMENT SIGNED BY A DULY AUTHORIZED REPRESENTATIVE OF AFCC. WITHOUT AN EXPRESS, WRITTEN AUTHORIZATION FROM AFCC, NO RETAILER OR DISTRIBUTOR OF AFCC PRODUCTS HAS THE AUTHORITY TO MODIFY OR AMEND THIS LIMITED WARRANTY.

**Limitation of Liability**

This limited warranty is your sole and exclusive remedy. It is expressly understood and agreed that the limit of liability will be, at AFCC's option, repair, resupply of a like quantity of non-defective product, or refund of purchase price of the material. All labor and service charges which may be incurred with respect to either the original or replacement product are excluded. AFCC shall have no liability except where the claim results solely from breach of AFCC's limited warranty.

AFCC SHALL NOT BE LIABLE FOR ANY INCIDENTAL OR CONSEQUENTIAL DAMAGES. FURTHERMORE, AFCC SHALL NOT BE LIABLE FOR DAMAGE TO THE PROPERTY TO WHICH THE PRODUCT IS APPLIED OR ITS CONTENTS, LOSS OF TIME, PROFITS, OR ANY INCONVENIENCE ARISING OUT OF ANY BREACH OF THIS LIMITED WARRANTY OR OBLIGATIONS UNDER THIS LIMITED WARRANTY. AFCC SHALL NOT BE LIABLE FOR ANY DAMAGES WHICH ARE BASED UPON NEGLIGENCE, BREACH OF WARRANTY, STRICT LIABILITY, OR ANY OTHER THEORY EXCEPT THE LIMITED WARRANTY SET FORTH ABOVE. INCIDENTAL AND CONSEQUENTIAL DAMAGES SHALL NOT BE RECOVERABLE EVEN IF THE REPLACEMENT REMEDY FAILS OF ITS PURPOSE OR FOR ANY OTHER REASON.

Distributed exclusively by:



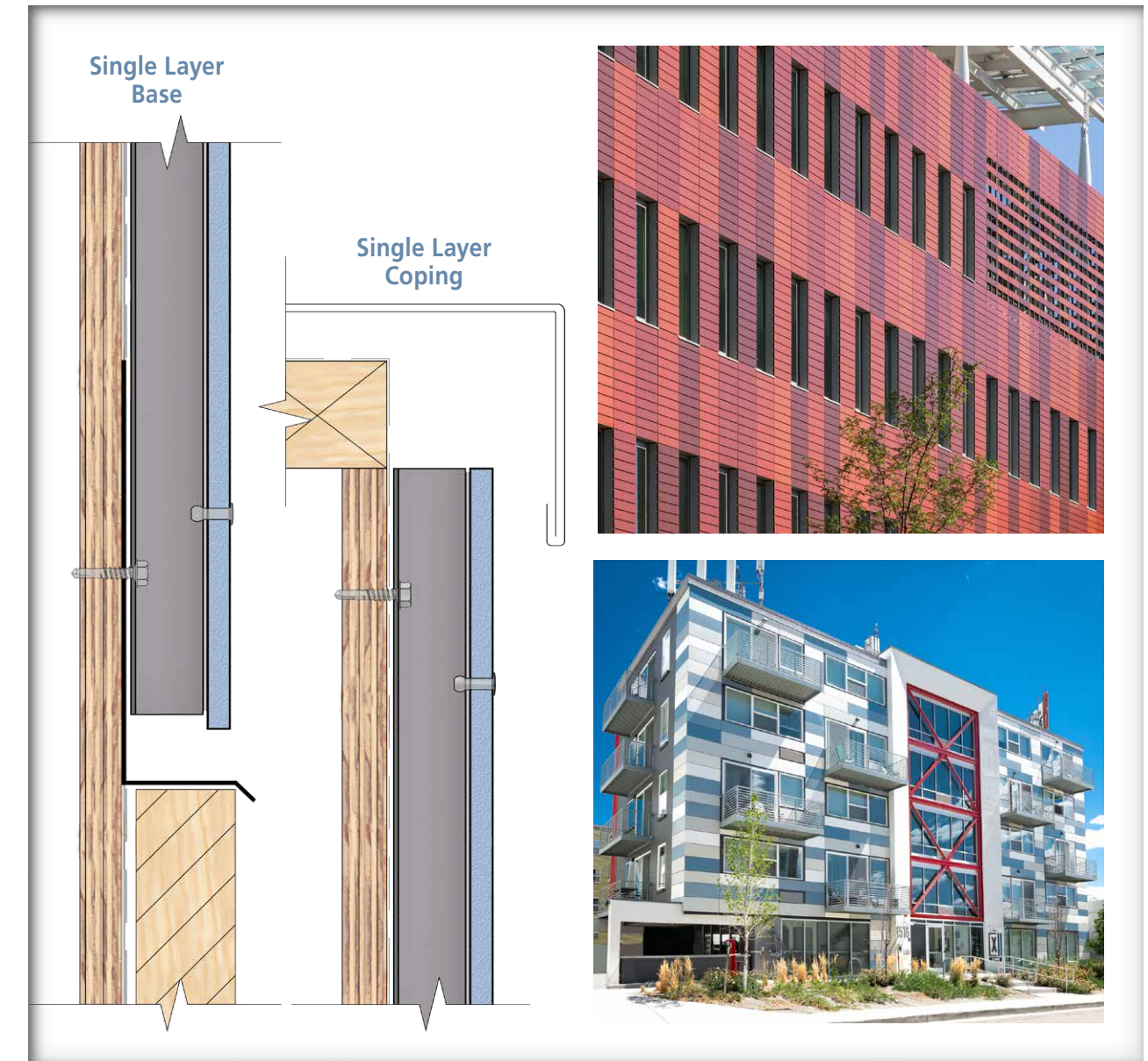
6901 South Pierce Street  
Suite 180  
Littleton, CO 80128 U.S.A.  
Phone: 303-972-5107  
800-688-8677  
Fax: 303-978-0308  
www.americanfibercement.com

For the nearest authorized fabricator, call 303-972-5107.

SUSTAINABLE SOLUTIONS

Single Layer & Double Layer

Steel Profiles with Rivets



Note: The online copy of the Installation Guidelines obtained at [www.americanfibercement.com](http://www.americanfibercement.com) supersedes any printed copy.



Overview

The American Fiber Cement Steel Attachment systems provide a durable and corrosion resistant solution for installing exterior cladding. This steel attachment system is designed to handle various facade types including but not limited to fiber cement, metal, and phenolic panels. Depending on the wall components, either a single layer, or a double layer system can be used with the double layer being able to accommodate exterior insulation (1"-3").

Single Layer System

The Single Layer system is to be used in situations where the exterior sheathing can provide a high enough screw holding strength to allow for vertical metal profiles to be fastened directly to the sheathing. The recommended sheathing for the single layer system is 3/4" plywood. This system consists of Vertical Z-Profiles and Stainless Steel EJOT screws. See page 3 for component properties. This system may also be used on top of masonry walls with masonry screws.

Single Layer Components:

- Vertical Z-Profile (Powder Coated Black or G90 Galvanized)
- EJOT Stainless Steel Screws (for profile attachment to 5/8" or 3/4" plywood)

Double Layer System

The Double Layer system is to be used in situations where the exterior sheathing cannot provide a high enough screw holding strength to fasten profiles directly too. Therefore, this system requires two layers of metal profiles (Horizontal Z-Profile layer and Vertical Z-Profile layer). The first layer is the Horizontal Z-Profile, which is to be fastened directly to the studs and comes in varying depths up to 3" to accommodate up to 3" exterior insulation. The second layer is the Vertical Z-Profile, which is to be fastened anywhere along the Horizontal Z-Profiles. This system comes equipped with both sets of profiles as well as EJOT stainless steel screws. See page 3 for component properties.

Double Layer Components:

- Horizontal Hat-Profile (Powder Coated Black or G90 Galvanized)
- Vertical Z-Profile (Powder Coated Black or G90 Galvanized)
- EJOT Stainless Steel Screws (for vertical and horizontal profile attachment)

Steel Mechanical Properties

Thickness	Tensile Strength	Yield Strength	Elongation	Reference
16-gauge (1.5 mm)	53.1 ksi   366 Mpa	40.6 ksi   280 Mpa	42%	ASTM Standard

Vertical Z-Profile

Finish	Thickness	Legs	Depth	Length	Tolerance
G90 or Powder Coated	16-gauge	31.7 mm   1 1/4 in	25.4 mm   1 in	8 ft or 10 ft	.125/.000

G90 – Gray • Powder Coated – Black • Hat-Profile available upon request (extended lead time)

Horizontal Z-Profile

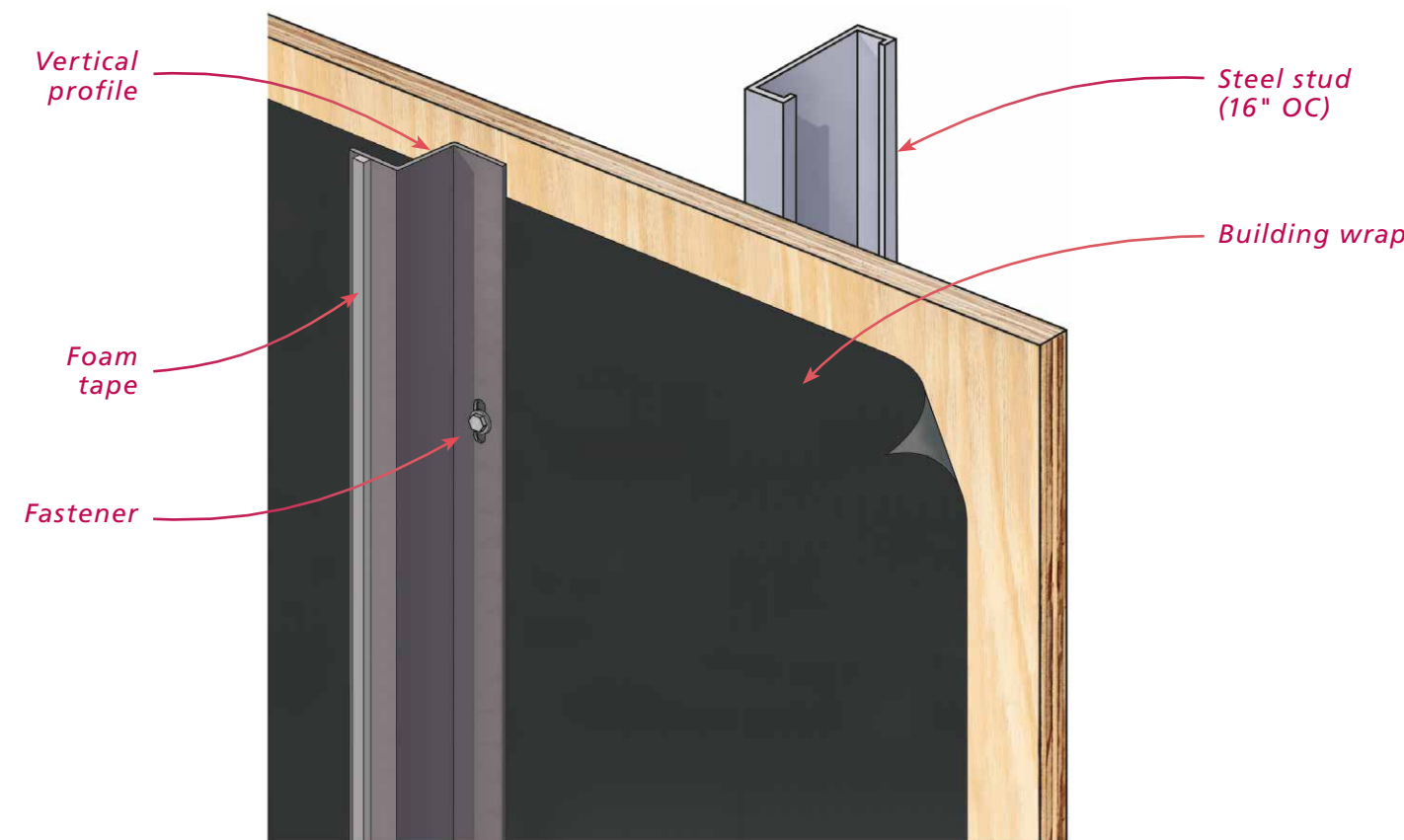
Finish	Thickness	Legs	Depth	Length	Tolerance
G90 or Powder Coated	16-gauge	31.75 mm   1 1/4 in	25.4–76.2 mm   1–3 in	8 ft or 10 ft	.125/.000

Hat-Profile available upon request (extended lead time)

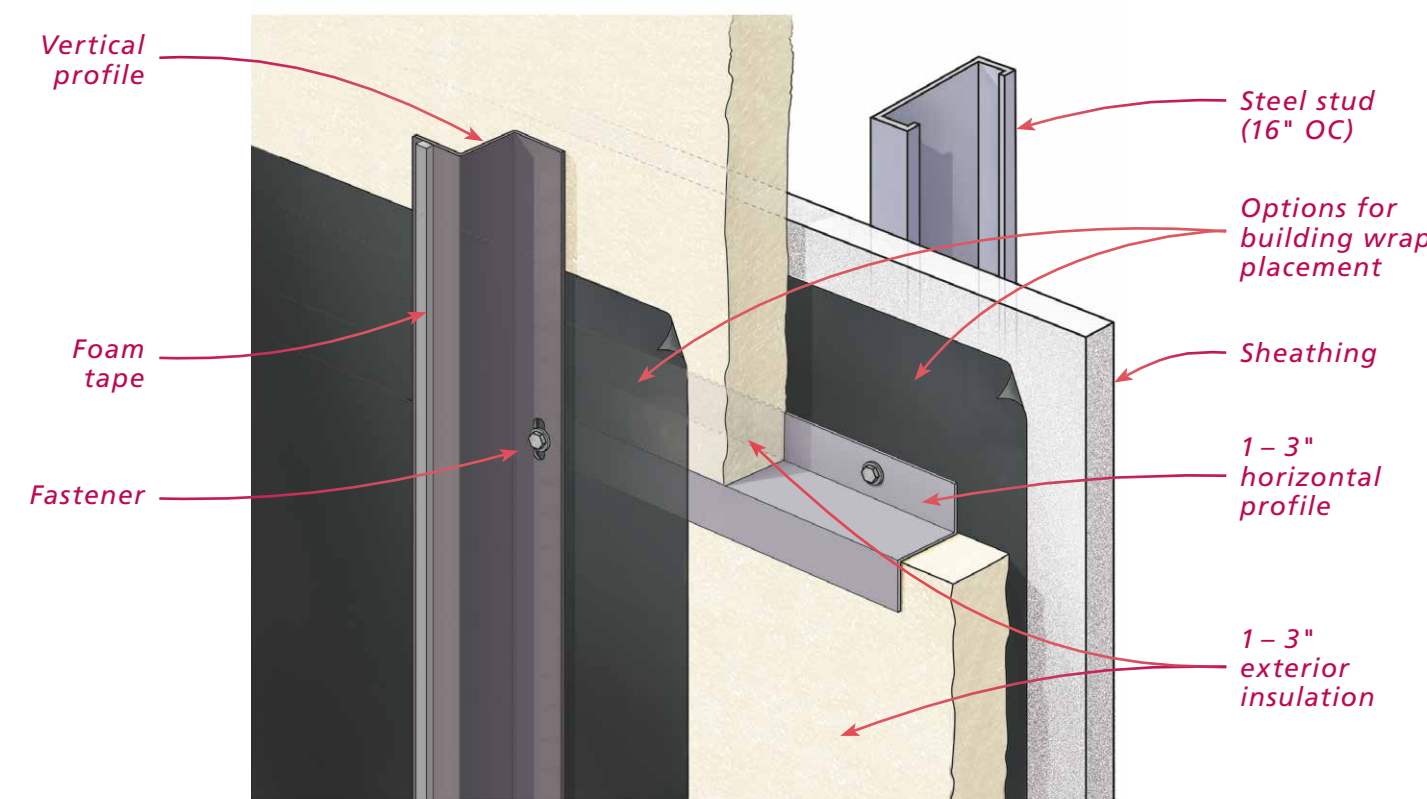
EJOT Screws

System	Use	EJOT Description	Material	Thermal Washer	Length
Single Layer	Fasten Z-Profile to Plywood	# 1/4 x 1 1/2" HWH no washer - DP1 -	A2 Stainless Steel	No	1 1/2 in
Double Layer	Fasten Z-Profile to Stud	# 12 x 1 3/8" HWH w/washer - DP3 -	A2 Stainless Steel	Yes	1 3/8 in
Double Layer	Fasten Z-Profile to Z-Profile	# 12 x 1" HWH no washer - DP3 -	A2 Stainless Steel	Yes	1 in

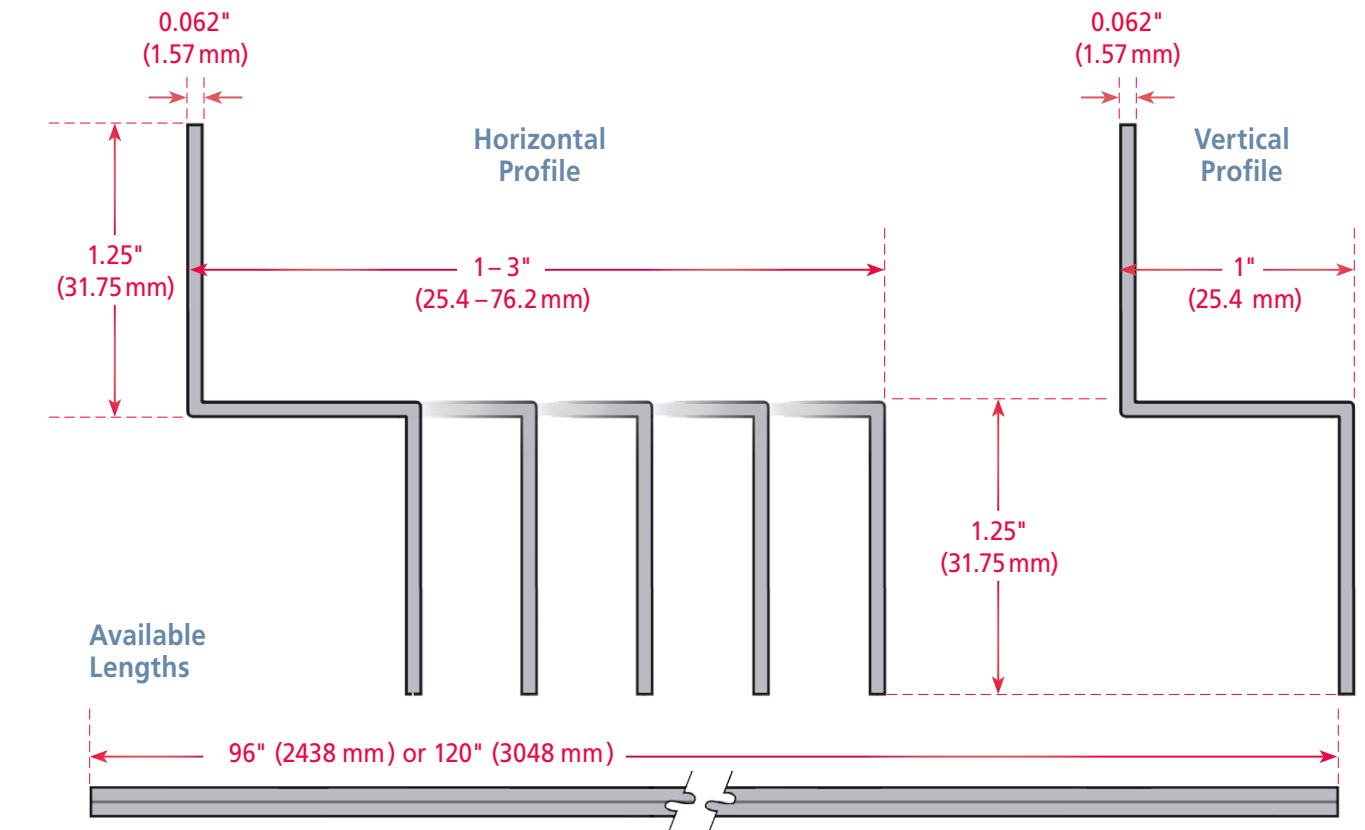
Single Layer System



Double Layer System



Profile Specifications



Double Layer — Plan and Section Views

